

This contemporary **Pop-up Power Center is fully customizable**, mounts into all types of furniture for convenient **power and network** access on demand. One touch accessibility the lid flips up to access providing reliable power that amps up your environment.

It is **simple to install**, easily mounted into any surface with all brackets and hardware included with no exposed screws to complement any design. Body colors include white, silver or black with a choice of white or black A/C and RJ45 network components.



*White body color, with white with A/C and USB*



*Silver body color, with black with A/C and USB*

**Standard Features**

- 2 x Double USB fast charging ports 2.4 Amp.
- 2 x RJ45 Network ports.
- Steel body with a powder coated finish with a durable, streamlined construction.
- Easily mounts into all types of furniture for convenient power and charging access on demand.
- Tamper resistant grounded duplex receptacles.
- Power Cable: 6ft 14AWG WireRight angled round plug.
- Plug and Play Installation.
- UL listed for installation into furniture.

**General Product Information**

Product Number	<b>GS201/2 RJ45</b>		
Dimensions	L	W	D
Inches	<b>10.39</b>	<b>4.64</b>	<b>2.67</b>
Weight	<b>3 lb 66oz</b>		

Color Options	<b>Black, white or silver body Black or white components</b>
Warranty	<b>1 year</b>

## BCP-GS201/2 RJ45

### How to install

Requires a cut out in the work surface in order to sit flush.

**Step 1:** Mark the area according to the hole cut out size L 8.86in W 4.33in. Make sure the surface is clean and dry.

**Step 2:** Cut out carefully where marked.

**Step 3:** Insert the Pop-Up Power Center into the hole including the powercord, until it fits snugly, secure with 4 screws provided.

#### Color Options

Body colors available black, silver and white with a choice of white or black A/C and USB components.



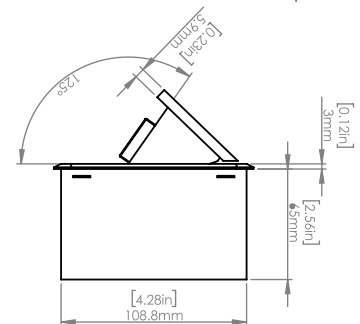
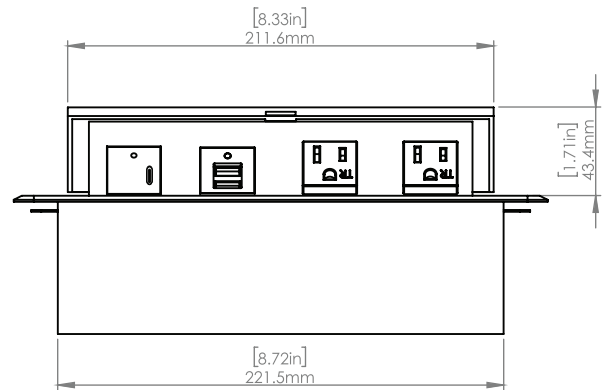
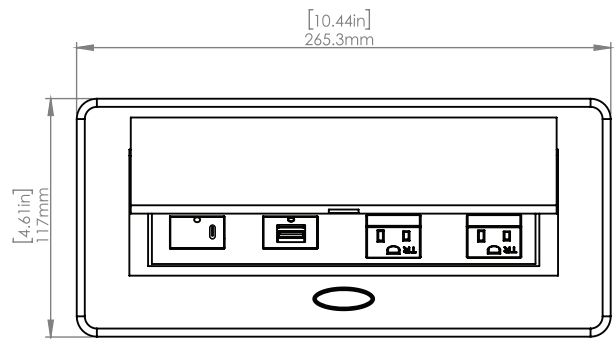
Black



Silver



White



### Further Product Information

Pack Size: 1

Voltage: 125V

Current: 15A

\*Technical drawings show product with exact same dimensions and installation.

