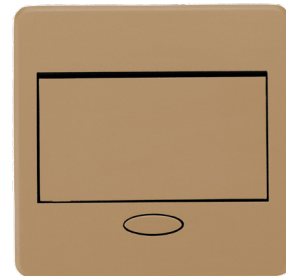


This contemporary **Pop-up Power Center is fully customizable**, mounts into all types of furniture for convenient **power and USB charging** access on demand. One touch accessibility the lid flips up to access providing reliable power that amps up your environment.

It is **simple to install**, easily mounted into any surface with all brackets and hardware included with no exposed screws to complement any design. Various body colors include white, silver, black and bronze with a choice of white or black A/C and USB components.



*Bronze body color, with black A/C and USB*



**Standard Features**

- 2 x Double USB fast charging ports 2.4 Amp.
- Aluminum body with a powder coated finish with a durable, streamlined construction.
- Easily mounts into all types of furniture for convenient power and charging access on demand.
- Tamper resistant grounded duplex receptacles.
- Power Cable: 6ft 14AWG WireRight angled round plug.
- Plug and Play Installation.
- UL listed for installation into furniture.

**General Product Information**

Product Number	<b>GS206</b>			Weight	<b>2 lb 38oz</b>
Color Options	<b>Black, White or Silver</b>			Warranty	<b>1 year</b>
Dimensions	L	W	D		
Inches	<b>5.11</b>	<b>5.43</b>	<b>4.33</b>		

## BCP-GS206

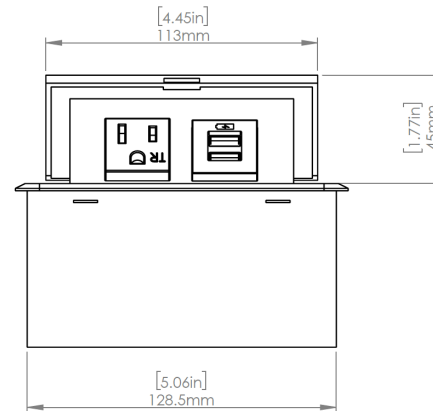
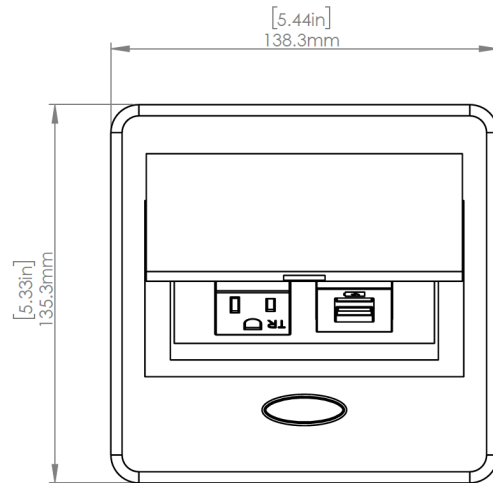
### How to install

Requires a cut out in the work surface in order to sit flush.

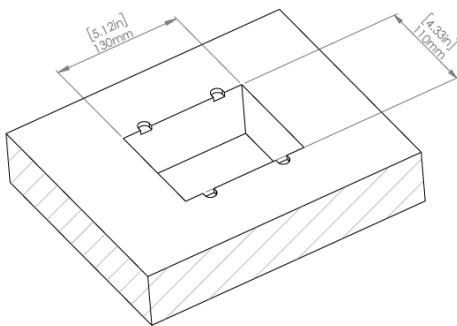
- Step 1:** Mark the area according to the hole cut out size L 5.12in W 4.33in. Make sure the surface is clean and dry.
- Step 2:** Cut out carefully where marked.
- Step 3:** Insert the Pop-Up Power Center into the hole including the powercord, until it fits snugly, secure with 4 screws provided.

### Further Product Information

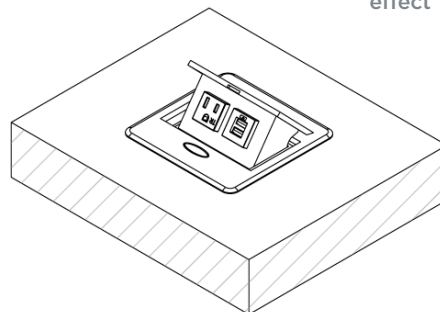
Pack Size: 1  
Voltage: 125V  
Current: 15A



Hole size



Installation effect



Side view 1



Side view 2

