



M-POWER-3TT

AC POWER & DATA CONNECTIVITY SOLUTION

M-POWER-3TTT2-GZZ-T2AB

Distributed by

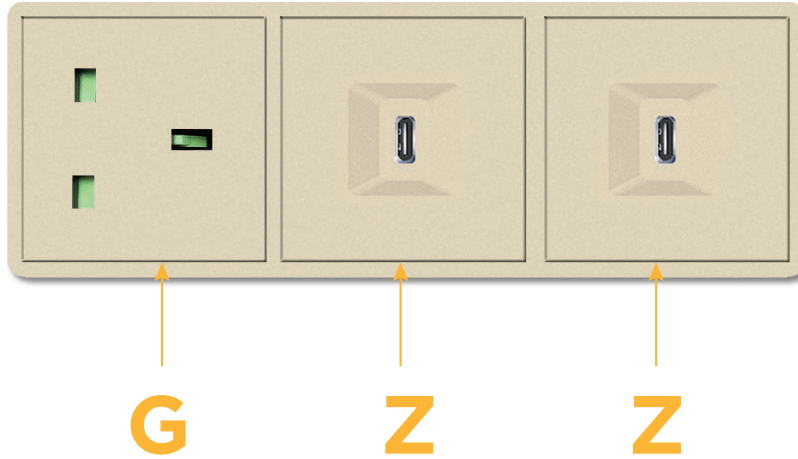


Mormax Company, Inc.
8 Westchester Plaza
Elmsford, NY 10523

914-699-0101
sales@mormax.com
mormax.com

Metro Light & Power's line of power & data solutions offers sophisticated design elements combined with greater ease of installation. Streamlined and low-profile, enhanced by side-exiting cords, our outlets advance the industry with their cutting-edge look and feel. We believe flexibility is key, and we provide a variety of mounting options, including the ability to mount in limited spaces. Our outlets are available in many finishes and configurations, in addition to a custom color and finish capability for our clients.

Bezel Finish: **UNICOLOR™ SAND (ABS)**
Custom Finishes Available M-POWER-3TTT2-GZZ-T2AB



Features:

Module/Port Options:

- G** Tamper Resistant 220 VAC Outlet 50 Hz
- A** Tamper Resistant AC Receptacle
- B** USB-A & USB-C (3.0A USB-A / 15W USB-C)
- U** Double USB-A (Fast Charging Ports - Rated for 3.2A)
- H** HDMI
- 6** CAT 6
- 12** RJ 12
- X** Switched AC
- Y** 3-Way Switch
- C** USB-C (27W High Speed Charging Port)
- Z** USB-C (18W High Speed Charging Port)
- R** Switched AC (Rocker Switch)
- D** Dimmer Switch

Plug:

Supplied with Low Profile Flat 220 VAC Plug

Shown in Unicolor™ Sand (ABS) Bezel, featuring 1 "Type G" 220 VAC Tamper Resistant ACs, and 2 USB-C Charging Ports.

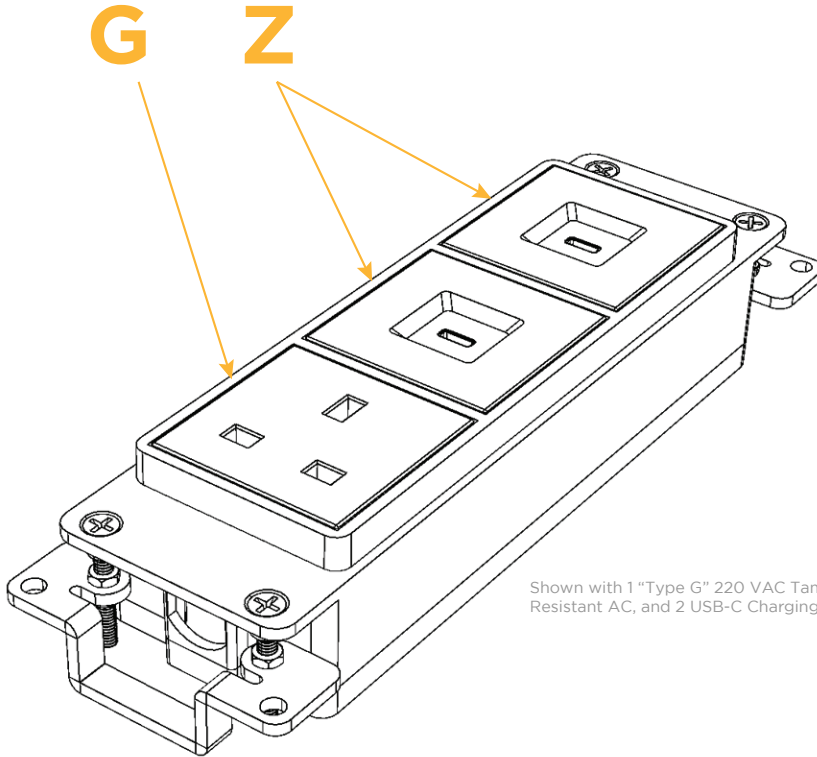
- **CLEAN, COMPACT DESIGN**
- **STREAMLINED**
- **LOW PROFILE**
- **SIDE-EXITING CORDS**
- **PLUG & PLAY**
- **18W USB-C FAST-CHARGING FOR ALL DEVICES**
- **2.0m AC CORD & PLUG (FLAT PLUG STANDARD)**
- **CUSTOMIZABLE CONFIGURATIONS AND FINISHES**
- **RATED VOLTAGE: 220 VAC-250 VAC**
- **MAX POWER: 2500 W**



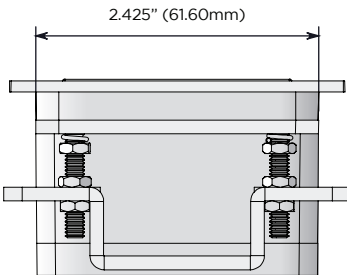
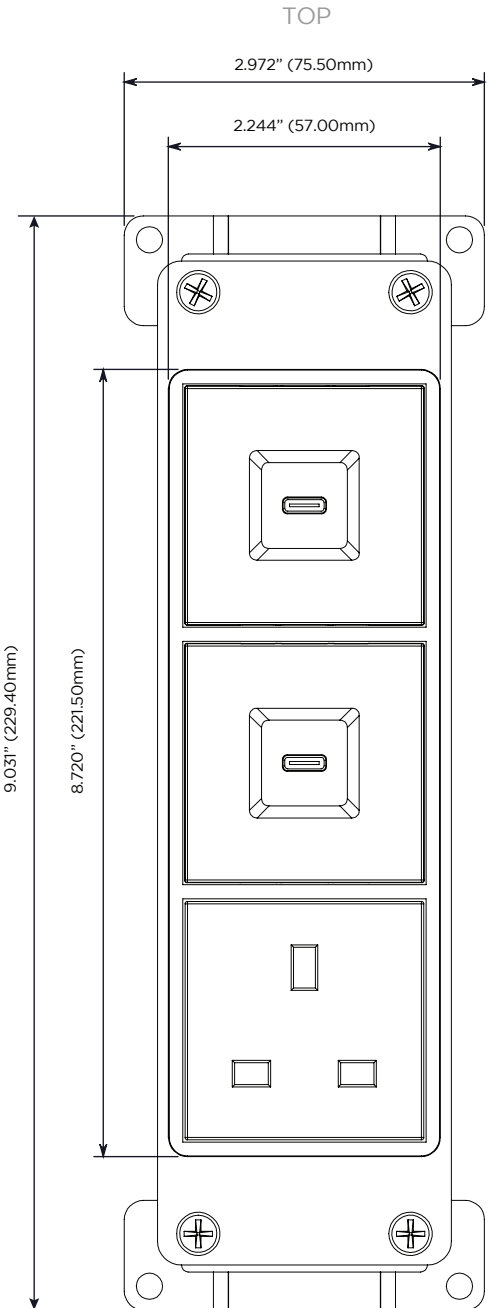
Specs:

Modules/Ports:

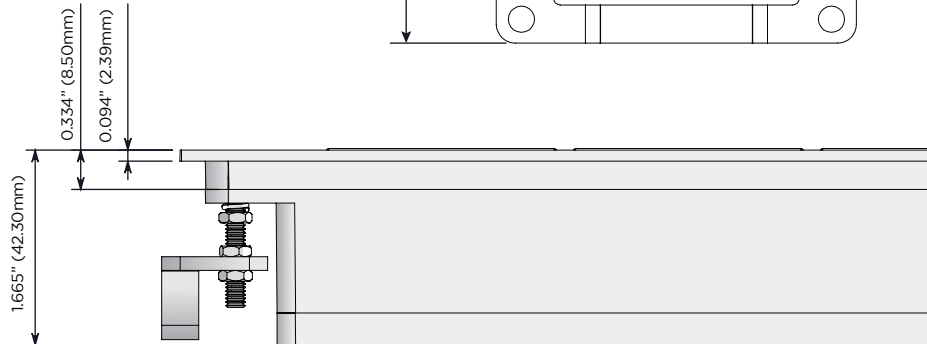
- G** Tamper Resistant 220 VAC Outlet 50 Hz
- Z** USB-C (18W High Speed Charging Port)



Shown with 1 "Type G" 220 VAC Tamper Resistant AC, and 2 USB-C Charging Ports.



END



SIDE