



156 Epping Road Exeter, NH 03833

800-261-7219

Stock Number: #456512

2023 Western Star 47X

Details:

- 2021 NRC 30TB - 28'
- Fully Galvanized Deck and Subframe
- Lodar Remote
- 20k Winch
- Detroit DD13
- 505HP
- Allison 4500 RDS
- Full Chassis / Body spec attached

Price: 243,008



S P E C I F I C A T I O N P R O P O S A L

Data Code	Description	Weight Front	Weight Rear	Retail Price
Price Level				
PRL-26X	WST 47X/49X PRL-26X (EFF:07/26/21)			STD
Data Version				
DRL-031	SPECPRO21 DATA RELEASE VER 031			N/C
Vehicle Configuration				
001-470	WESTERN STAR 47X	9,050	6,525	
004-223	2023 MODEL YEAR SPECIFIED			STD
002-004	SET BACK AXLE - TRUCK			STD
019-006	TRAILER TOWING PROVISION AT END OF FRAME WITH SAE J560	10	10	N/C
003-001	LH PRIMARY STEERING LOCATION			STD
General Service				
AA1-003	TRUCK/TRAILER CONFIGURATION			N/C
AA6-001	DOMICILED, USA 50 STATES (INCLUDING CALIFORNIA AND CARB OPT-IN STATES)			STD
A85-002	PICKUP AND DELIVERY/SHORT HAUL SERVICE			N/C
A84-1VT	VEHICLE TRANSPORTER BUSINESS SEGMENT			N/C
AA4-003	DRY BULK COMMODITY			N/C
AA5-002	TERRAIN/DUTY: 100% (ALL) OF THE TIME, IN TRANSIT, IS SPENT ON PAVED ROADS			STD
AB1-008	MAXIMUM 8% EXPECTED GRADE			STD
AB5-001	SMOOTH CONCRETE OR ASPHALT PAVEMENT - MOST SEVERE IN-TRANSIT (BETWEEN SITES) ROAD SURFACE			STD
995-1A5	WESTERN STAR VOCATIONAL WARRANTY			STD
A66-99D	EXPECTED FRONT AXLE(S) LOAD : 14780.0 lbs			
A68-99D	EXPECTED REAR DRIVE AXLE(S) LOAD : 40000.0 lbs			
A63-99D	EXPECTED GROSS VEHICLE WEIGHT CAPACITY : 54780.0 lbs			

Prepared for:
 Michael Lampert
 NEW ENGLAND TRUCK
 CENTER
 156 EPPING RD
 EXETER, NH 03833
 Phone: 603-778-8158

Data Code	Description	Weight Front	Weight Rear	Retail Price
A70-99D	EXPECTED GROSS COMBINATION WEIGHT : 80000.0 lbs			
Truck Service				
AA3-005	FLATBED/PLATFORM/STAKE BODY			N/C
AF4-99D	EXPECTED EMPTY BODY WEIGHT : 0.0 lbs			
A88-99D	EXPECTED TRUCK BODY LENGTH : 26.0 ft			
AF3-151	NEW ENGLAND TRUCK EQUIPMENT			N/C
Tractor Service				
AA2-001	VAN TRAILER			N/C
AH6-001	SINGLE (1) TRAILER			N/C
Engine				
101-3C1	DETROIT DD13 GEN 5 12.8L 505 HP @ 1625 RPM, 1900 GOV RPM, 1850 LB/FT @ 975 RPM			\$2,749.00
Electronic Parameters				
79A-075	75 MPH ROAD SPEED LIMIT			STD
79B-001	CRUISE CONTROL SPEED LIMIT 1 MPH HIGHER THAN ROAD SPEED LIMIT			N/C
79F-013	FLEET MANAGEMENT - DAILY ENGINE USAGE ENABLED			N/C
79G-998	NO IDLE SHUTDOWN CONFIGURATION			N/C
79K-006	PTO MODE ENGINE RPM LIMIT - 1000 RPM			N/C
79P-032	PTO RPM CONTROL WITH STEERING WHEEL SWITCHES			N/C
79T-004	PTO MODE RPM INCREMENT - 100 RPM			N/C
79U-007	PTO GOVERNOR RAMP RATE - 250 RPM PER SECOND			N/C
79W-012	ONE CLUSTER SELECTABLE PTO GOVERNOR ENGINE SPEED PARAMETER			N/C
79X-005	PTO SPEED 1 SETTING - 900 RPM			N/C
80C-012	ENGINE BRAKE WITH GLOBAL CRUISE CONTROL ENABLED			N/C
80D-001	SOFT CRUISE CONTROL ENABLED			N/C
80G-001	PTO MINIMUM RPM - 600			N/C
80L-003	ENABLE DPF REGEN ZONE 1 WITH AUTO ENGINE RPM ELEVATE FOR EXTENDED IDLE			N/C
* 80S-004	PTO 1, DASH SWITCH, ENGAGE WHILE DRIVING			N/C
Engine Equipment				
99C-021	2010 EPA/CARB/GHG21 CONFIGURATION			STD

Prepared for:
 Michael Lampert
 NEW ENGLAND TRUCK
 CENTER
 156 EPPING RD
 EXETER, NH 03833
 Phone: 603-778-8158

Data Code	Description	Weight Front	Weight Rear	Retail Price
99D-011	2008 CARB EMISSION CERTIFICATION - CLEAN IDLE (INCLUDES 6X4 INCH LABEL ON LOWER FORWARD CORNER OF DRIVER DOOR)			STD
13E-001	STANDARD OIL PAN			N/C
105-001	ENGINE MOUNTED OIL CHECK AND FILL			STD
014-116	SIDE OF HOOD AIR INTAKE WITH ENGINE MOUNTED AIR CLEANER			STD
124-105	LN 12V 170 AMP AVI 160 PAD MOUNT ALTERNATOR			STD
292-236	(3) DTNA GENUINE, FLOODED STARTING, MIN 3000CCA, 555RC, THREADED STUD BATTERIES	-10		(\$483.00)
290-1CD	BATTERY BOX WITH ALUMINUM COVER MOUNTED SHORT SIDE TO RAIL	-50	10	\$346.00
282-042	LH BATTERY BOX MOUNTED AS FAR AFT AS POSSIBLE, NO GREATER THAN 60 INCHES BACK OF CAB			\$257.00
291-017	WIRE GROUND RETURN FOR BATTERY CABLES WITH ADDITIONAL FRAME GROUND RETURN			STD
289-022	POLISHED ALUMINUM DIAMOND PLATE WST BATTERY BOX COVER			\$107.00
107-046	BW MODEL FE-921 19.0 CFM SINGLE CYLINDER AIR COMPRESSOR WITH SAFETY VALVE			STD
152-041	ELECTRONIC ENGINE INTEGRAL SHUTDOWN PROTECTION SYSTEM			STD
128-002	JACOBS COMPRESSION BRAKE			STD
016-1C3	RH OUTBOARD UNDER STEP MOUNTED HORIZONTAL AFTERTREATMENT SYSTEM ASSEMBLY WITH RH HORIZONTAL TAILPIPE	-30	-20	(\$831.00)
28F-015	ENGINE AFTERTREATMENT DEVICE, AUTOMATIC OVER THE ROAD ACTIVE REGENERATION AND VIRTUAL REGENERATION REQUEST SWITCH IN CLUSTER AND DASH MOUNTED INHIBIT SWITCH			STD
239-001	STANDARD EXHAUST SYSTEM LENGTH			N/C
237-052	RH STANDARD HORIZONTAL TAILPIPE			N/C
23U-002	13 GALLON DIESEL EXHAUST FLUID TANK	9	3	(\$187.00)
23Z-007	POLISHED ALUMINUM DIAMOND PLATE WST DIESEL EXHAUST FLUID TANK COVER			\$24.00
43X-001	LH HEAVY DUTY STANDARD DIESEL EXHAUST FLUID TANK LOCATION			STD
43Y-001	STANDARD DIESEL EXHAUST FLUID TANK CAP			STD
273-059	ELECTRONICALLY CONTROLLED VARIABLE SPEED VISCOUS FAN DRIVE			STD

Prepared for:
 Michael Lampert
 NEW ENGLAND TRUCK
 CENTER
 156 EPPING RD
 EXETER, NH 03833
 Phone: 603-778-8158

Data Code	Description	Weight Front	Weight Rear	Retail Price
276-002	AUTOMATIC FAN CONTROL WITH DASH SWITCH AND INDICATOR LIGHT, NON ENGINE MOUNTED			\$10.00
122-1H2	DETROIT FUEL/WATER SEPARATOR WITH BYPASS AND 12 VOLT PREHEATER	10		\$441.00
110-068	DDC SUPPLIED ENGINE MOUNTED FUEL FILTER/FUEL WATER SEPARATOR WITH WATER-IN-FUEL INDICATOR			STD
118-001	FULL FLOW OIL FILTER			STD
266-107	1400 SQUARE INCH VOCATIONAL RADIATOR			STD
103-039	ANTIFREEZE TO -34F, OAT (NITRITE AND SILICATE FREE) EXTENDED LIFE COOLANT			STD
171-007	GATES BLUE STRIPE COOLANT HOSES OR EQUIVALENT			STD
270-023	HDEP FIXED RATIO COOLANT PUMP AND RADIATOR DRAIN VALVE			STD
168-002	LOWER RADIATOR GUARD			STD
138-005	PHILLIPS-TEMRO 1500 WATT/115 VOLT BLOCK HEATER	4		\$30.00
166-005	PHILLIPS-TEMRO 300 WATT/115 VOLT OIL PREHEATER	4		\$46.00
140-022	CHROME ENGINE HEATER RECEPTACLE MOUNTED UNDER LH DOOR			\$80.00
155-076	DELCO 12V MOD 3.175-39MT+ STARTER WITH ENGINE ECU SOFTWARE PROTECTION AND INTEGRATED MAGNETIC SWITCH	-45		N/C

Transmission

342-1M3	ALLISON 4500 RDS AUTOMATIC TRANSMISSION WITH PTO PROVISION			STD
---------	--	--	--	-----

Transmission Equipment

343-339	ALLISON VOCATIONAL PACKAGE 223 - AVAILABLE ON 3000/4000 PRODUCT FAMILIES WITH VOCATIONAL MODELS RDS, HS, MH AND TRV			STD
84B-012	ALLISON VOCATIONAL RATING FOR ON/OFF HIGHWAY APPLICATIONS AVAILABLE WITH ALL PRODUCT FAMILIES			STD
84C-023	PRIMARY MODE GEARS, LOWEST GEAR 1, START GEAR 1, HIGHEST GEAR 6, AVAILABLE FOR 3000/4000 PRODUCT FAMILIES ONLY			STD
84D-023	SECONDARY MODE GEARS, LOWEST GEAR 1, START GEAR 1, HIGHEST GEAR 6, AVAILABLE FOR 3000/4000 PRODUCT FAMILIES ONLY			STD

Prepared for:
 Michael Lampert
 NEW ENGLAND TRUCK
 CENTER
 156 EPPING RD
 EXETER, NH 03833
 Phone: 603-778-8158

Data Code	Description	Weight Front	Weight Rear	Retail Price
84E-013	S1 PERFORMANCE PRIMARY SHIFT SCHEDULE, AVAILABLE FOR 3000/4000 PRODUCT FAMILIES ONLY			N/C
84F-012	S1 PERFORMANCE SECONDARY SHIFT SCHEDULE, AVAILABLE FOR 3000/4000 PRODUCT FAMILIES ONLY			N/C
84G-009	1800 RPM PRIMARY MODE SHIFT SPEED			N/C
84H-009	1800 RPM SECONDARY MODE SHIFT SPEED			N/C
85G-001	MAXIMUM OUTPUT SPEED FOR PTO ENGAGEMENT 50 RPM			N/C
86Q-998	NO TCU - AMT SHIFT CALIBRATION			STD
34C-011	ELECTRONIC TRANSMISSION WIRING TO CUSTOMER INTERFACE CONNECTOR			N/C
362-823	CUSTOMER INSTALLED CHELSEA 280 SERIES PTO			STD
363-001	PTO MOUNTING, LH SIDE OF MAIN TRANSMISSION ALLISON			N/C
341-018	MAGNETIC PLUGS, ENGINE DRAIN, TRANSMISSION DRAIN, AXLE(S) FILL AND DRAIN			STD
345-003	PUSH BUTTON ELECTRONIC SHIFT CONTROL, DASH MOUNTED			\$289.00
370-006	WATER TO OIL TRANSMISSION COOLER			STD
346-003	TRANSMISSION OIL CHECK AND FILL WITH ELECTRONIC OIL LEVEL CHECK			STD
35T-001	SYNTHETIC TRANSMISSION FLUID (TES-295 COMPLIANT)			STD

Front Axle and Equipment

400-1AA	MFS-16-143A 16,000# FL1 71.5 INCH KPI/3.74 INCH DROP SINGLE FRONT AXLE	130		\$832.00
418-060	CONMET PRESET PLUS PREMIUM IRON FRONT HUBS	20		(\$640.00)
402-030	MERITOR 16.5X6 Q+ CAST SPIDER CAM FRONT BRAKES, DOUBLE ANCHOR, FABRICATED SHOES	10		(\$278.00)
403-002	NON-ASBESTOS FRONT BRAKE LINING			STD
419-023	CONMET CAST IRON FRONT BRAKE DRUMS			\$336.00
427-001	FRONT BRAKE DUST SHIELDS	5		(\$3.00)
409-006	FRONT OIL SEALS			STD
408-016	STEMCO ALUMINUM VENTED FRONT HUB CAPS WITH WINDOW AND CENTER AND SIDE PLUGS - OIL			\$16.00

Prepared for:
Michael Lampert
NEW ENGLAND TRUCK
CENTER
156 EPPING RD
EXETER, NH 03833
Phone: 603-778-8158

Data Code	Description	Weight Front	Weight Rear	Retail Price
405-002	MERITOR AUTOMATIC FRONT SLACK ADJUSTERS			\$115.00
536-103	SINGLE HIGH CAPACITY POWER STEERING GEAR, BENDIX, 14.6-18K	25		\$584.00
534-015	2 QUART SEE THROUGH POWER STEERING RESERVOIR			STD
40T-002	CURRENT AVAILABLE SYNTHETIC 75W-90 FRONT AXLE LUBE			STD
Front Suspension				
620-004	16,000# FLAT LEAF FRONT SUSPENSION	215		\$239.00
619-002	THREADED SPRING PINS AND BUSHINGS - FRONT SUSPENSION			N/C
410-001	FRONT SHOCK ABSORBERS			\$207.00
Rear Axle and Equipment				
420-1K4	MT-40-14XP 40,000# R-SERIES TANDEM REAR AXLE		20	\$222.00
450-060	CONMET PRESET PLUS PREMIUM IRON REAR HUBS		60	(\$1,448.00)
421-325	3.25 REAR AXLE RATIO			N/C
424-003	IRON REAR AXLE CARRIER WITH OPTIONAL HEAVY DUTY AXLE HOUSING		40	\$98.00
386-075	MXL 18T MERITOR EXTENDED LUBE MAIN DRIVELINE WITH HALF ROUND YOKES	80	80	\$532.00
388-073	MXL 17T MERITOR EXTENDED LUBE INTERAXLE DRIVELINE WITH HALF ROUND YOKES			STD
452-006	DRIVER CONTROLLED TRACTION DIFFERENTIAL - BOTH TANDEM REAR AXLES		30	\$1,317.00
878-022	(1) INTERAXLE LOCK VALVE, (1) DRIVER CONTROLLED DIFFERENTIAL LOCK FORWARD-REAR AXLE VALVE AND (1) REAR-REAR AXLE VALVE			\$46.00
87A-005	INDICATOR LIGHT FOR EACH INTERAXLE LOCKOUT SWITCH			N/C
87B-009	INDICATOR LIGHT AND BUZZER FOR EACH DIFFERENTIAL LOCKOUT SWITCH			N/C
423-020	MERITOR 16.5X7 Q+ CAST SPIDER CAM REAR BRAKES, DOUBLE ANCHOR, FABRICATED SHOES			(\$937.00)
433-002	NON-ASBESTOS REAR BRAKE LINING			STD
434-005	BRAKE CAMS AND CHAMBERS ON FORWARD SIDE OF DRIVE AXLE(S) WITH AUXILIARY SUPPORT BRACKETS			N/C
451-023	CONMET CAST IRON REAR BRAKE DRUMS			\$646.00

Prepared for:
 Michael Lampert
 NEW ENGLAND TRUCK
 CENTER
 156 EPPING RD
 EXETER, NH 03833
 Phone: 603-778-8158

Data Code	Description	Weight Front	Weight Rear	Retail Price
425-002	REAR BRAKE DUST SHIELDS		10	(\$25.00)
440-006	REAR OIL SEALS			STD
426-101	WABCO TRISTOP D LONGSTROKE 2-DRIVE AXLE SPRING PARKING CHAMBERS			(\$128.00)
428-002	MERITOR AUTOMATIC REAR SLACK ADJUSTERS			\$248.00
41T-002	CURRENT AVAILABLE SYNTHETIC 75W-90 REAR AXLE LUBE			N/C
42T-001	STANDARD REAR AXLE BREATHER(S)			STD
Rear Suspension				
622-005	AIRLINER 40,000# REAR SUSPENSION			STD
621-118	7.9 INCH NOMINAL RIDE HEIGHT (415MM GLOBAL REFERENCE HEIGHT)			STD
431-001	STANDARD AXLE SEATS IN AXLE CLAMP GROUP			STD
624-016	51 INCH AXLE SPACING			STD
888-078	IGNITION CONTROLLED ELECTRIC DUMP SWITCH FOR AIR SUSPENSION WITH STATE RETENTION AND GAUGE			STD
87D-011	REAR AIR SUSPENSION DUMP VALVE AUTOFILL >5 MPH WITH BUZZER AND INDICATOR LIGHT			N/C
910-001	SINGLE AIR REAR SUSPENSION LEVELING VALVE			STD
623-002	TRANSVERSE CONTROL RODS			STD
439-005	REAR SHOCK ABSORBERS - TWO AXLES (TANDEM) (AIR RIDE SUSPENSION)			STD
Brake System				
490-1AU	WABCO 4S/4M ABS WITH TRACTION CONTROL WITH ATC SHUT OFF SWITCH			(\$383.00)
871-001	REINFORCED NYLON, FABRIC BRAID AND WIRE BRAID CHASSIS AIR LINES			STD
432-003	RELAY VALVE WITH 5-8 PSI CRACK PRESSURE, NO REAR PROPORTIONING VALVE			STD
480-040	WABCO SYSTEM SAVER 1200 HEATED AIR DRYER WITH PRESSURE CONTROL VALVE			STD
483-004	WABCO OIL COALESCING FILTER FOR AIR DRYER			STD
479-012	AIR DRYER MOUNTED UNDER HOOD			STD
460-001	STEEL AIR BRAKE RESERVOIRS			STD
477-019	BW DV-2 AUTO DRAIN VALVE WITH HEATER TO WET TANK; DRAIN VALVE CABLES ON ALL OTHER TANKS			\$141.00

Prepared for:
Michael Lampert
NEW ENGLAND TRUCK
CENTER
156 EPPING RD
EXETER, NH 03833
Phone: 603-778-8158

Data Code	Description	Weight Front	Weight Rear	Retail Price
Trailer Connections				
914-001	AIR CONNECTIONS TO END OF FRAME WITH GLAD HANDS FOR TRUCK AND NO DUST COVERS	5	5	\$70.00
296-010	PRIMARY CONNECTOR/RECEPTACLE WIRED FOR SEPARATE STOP/TURN, ABS CENTER PIN POWERED THROUGH IGNITION			\$40.00
303-025	SAE J560 7-WAY PRIMARY TRAILER CABLE RECEPTACLE MOUNTED END OF FRAME			\$130.00
Wheelbase & Frame				
545-722	7225MM (285 INCH) WHEELBASE			N/C
546-1C3	11.0MM X 85.0MM X 287.0MM STEEL FRAME (0.43X3.35X11.30 INCH) 120 KSI	700	160	\$2,059.00
552-029	1575MM (62 INCH) REAR FRAME OVERHANG			N/C
55W-006	FRAME OVERHANG RANGE: 61 INCH TO 70 INCH	-30	80	N/C
AC8-99D	CALC'D BACK OF CAB TO REAR SUSP C/L (CA) : 219.29 in			
AE4-99D	CALC'D FRAME LENGTH - OVERALL : 391.61 in			
ZF1-99D	FRAME HEIGHT TOP FRONT UNLADEN : 39.92 in			
ZF2-99D	FRAME HEIGHT TOP FRONT LADEN : 37.65 in			
ZF3-99D	FRAME HEIGHT TOP REAR UNLADEN : 37.67 in			
ZF4-99D	FRAME HEIGHT TOP REAR LADEN : 35.7 in			
553-001	SQUARE END OF FRAME			STD
559-001	STANDARD WEIGHT ENGINE CROSSMEMBER			STD
561-007	HEAVY DUTY BACK OF TRANSMISSION CROSSMEMBER	10		\$315.00
562-028	HEAVY DUTY MIDSHIP #1 CROSSMEMBER	10	10	\$158.00
* 572-036	HEAVY DUTY REAR CROSSMEMBER		70	\$93.00
565-001	STANDARD SUSPENSION CROSSMEMBER		30	N/C
568-001	STANDARD WEIGHT REAR SUSPENSION CROSSMEMBER			\$465.00
Chassis Equipment				
025-003	POLISHED ALUMINUM DIAMOND PLATE WST EQUIPMENT COVERS			N/C
* 5CF-001	CLEAR FRAME SPACE REQUESTED			\$200.00
	CLEAR FRAME RAILS FROM BACK OF CAB TO FRONT REAR SUSPENSION BRACKET, BOTH RAILS OUTBOARD.			
* 6CF-001	1 MID CHASSIS COMPONENT LOCATION REQUEST			\$200.00
	MOUNT AIR TANKS 50" FORWARD OF THE STANDARD LOCATION PLEASE			

Prepared for:
 Michael Lampert
 NEW ENGLAND TRUCK
 CENTER
 156 EPPING RD
 EXETER, NH 03833
 Phone: 603-778-8158

Data Code	Description	Weight Front	Weight Rear	Retail Price
556-127	BRIGHT STEEL 1/8 INCH VOCATIONAL BUMPER			STD
557-002	LOOP STEP MOUNTED BELOW BUMPER	10		\$60.00
558-070	REMOVABLE FRONT TOW/RECOVERY DEVICE, STORED ON CHASSIS FRAME			STD
574-001	BUMPER MOUNTING FOR SINGLE LICENSE PLATE			STD
551-032	CLASS 10.9 THREADED METRIC FASTENERS; REAR SUSPENSION HANGER TO BE HUCK-SPIN			STD
44Z-002	EXTERIOR HARNESES WRAPPED IN ABRASION TAPE			STD
61B-998	NO TOOL/STORAGE BOX #1 MOUNTING LOCATION			STD
61C-998	NO TOOL/STORAGE BOX #2 MOUNTING LOCATION			STD
489-998	NO TIRE PRESSURE CONTROL/SENSOR			STD
605-998	CHASSIS, MISC CUSTOM REQUIREMENTS-NONE			STD
924-998	NO ADDITIONAL LH MID-CHASSIS ROUTING & CLIPPING BRACKETS			STD
928-998	NO ADDITIONAL RH MID-CHAS ROUTING & CLIPPING BRACKETS			STD
Fifth Wheel				
581-998	NO FIFTH WHEEL RAMP			STD
Fuel Tanks				
204-154	80 GALLON/302 LITER ALUMINUM FUEL TANK - LH	10		\$86.00
218-006	25 INCH DIAMETER FUEL TANK(S)			STD
215-006	POLISHING OF FUEL/HYDRAULIC TANK(S) WITH POLISHED STAINLESS STEEL BANDS			\$245.00
212-007	FUEL TANK(S) FORWARD			STD
664-002	POLISHED STEP FINISH			\$300.00
205-002	CHROME FUEL TANK CAP(S)			N/C
216-020	EQUIFLO INBOARD FUEL SYSTEM			STD
202-016	HIGH TEMPERATURE REINFORCED NYLON FUEL LINE			STD
Tires				
093-1VT	MICHELIN X LINE ENERGY Z 295/60R22.5 18 PLY RADIAL FRONT TIRES	-12		\$170.00
*	094-10T CONTINENTAL HDL2+ ECO PLUS 295/60R22.5 18 PLY RADIAL REAR TIRES		-48	(\$792.00)
Wheels				

Prepared for:
 Michael Lampert
 NEW ENGLAND TRUCK
 CENTER
 156 EPPING RD
 EXETER, NH 03833
 Phone: 603-778-8158

Data Code	Description	Weight Front	Weight Rear	Retail Price
502-664	ALCOA ULTRA ONE 89U63X 22.5X9.00 10-HUB PILOT 3.12 INSET 10-HD ALUMINUM FRONT WHEELS	-44		\$170.00
* 505-356	ALCOA ULTRA ONE 89U64X 22.5X9.00 10-HUB PILOT 5.99 INSET ALUMINUM REAR WHEELS			\$720.00
524-022	POLISHED DISC SIDE FRONT WHEELS WITH DURA-BRIGHT FINISH			\$170.00
525-023	POLISHED OUTER (DISHED SIDE) REAR WHEELS WITH OUTER ONLY DURA-BRIGHT FINISH			\$400.00
511-998	NO SPARE WHEEL			STD
51A-998	NO ADDITIONAL SPARE WHEEL			STD
52L-998	NO POLISHED, BRIGHT STANDARD POLISH, BRUSHED OR BRIGHT LVL ONE SPARE WHEEL			STD
496-011	FRONT WHEEL MOUNTING NUTS			STD
497-011	REAR WHEEL MOUNTING NUTS			STD
495-998	NO PUSHER/TAG WHEEL MOUNTING NUTS			STD
Cab Exterior				
829-053	111 INCH BBC CONVENTIONAL ALUMINUM CAB			STD
82A-028	STAINLESS STEEL CAB ACCENT MOLDING			STD
704-998	NO BAGGAGE DOOR			STD
695-998	NO SLEEPER DOOR			STD
667-001	FRONT FENDERS			STD
754-017	BOLT-ON MOLDED FLEXIBLE FENDER EXTENSIONS	10		\$115.00
678-066	INTERIOR GRAB HANDLES WITH ADDED LOWER LH AND RH A PILLAR GRAB HANDLES AND LH AND RH EXTERIOR NON-SLIP GRAB HANDLES			STD
65X-010	BRIGHT HOOD MOUNTED AIR INTAKE GRILLE, BLACK SCREEN, WITH LED ACCENT LIGHTS			STD
640-016	X-SERIES STEEL REINFORCED ALUMINUM CAB			STD
644-048	X-SERIES VOCATIONAL HOOD			STD
67U-001	HOOD OPENING ASSIST WITH LOCKING STRUT			STD
652-016	WESTERN STAR NAMEPLATES			STD
727-039	FOUR HADLEY SD-978 26 INCH RECTANGULAR AIR HORNS	8		\$206.00
726-001	SINGLE ELECTRIC HORN			STD
657-001	DOOR LOCKS AND IGNITION SWITCH KEYED THE SAME			STD
78G-004	KEY QUANTITY OF 4			\$18.00
575-001	REAR LICENSE PLATE MOUNT END OF FRAME			STD

Prepared for:
Michael Lampert
NEW ENGLAND TRUCK
CENTER
156 EPPING RD
EXETER, NH 03833
Phone: 603-778-8158

Data Code	Description	Weight Front	Weight Rear	Retail Price
312-095	DUAL STAGE INTELLIGENT LED HEADLIGHTS WITH HEATED LENS SYSTEM			STD
302-073	VISOR MOUNTED LED MARKER LIGHTS			N/C
315-007	WHITE LED FOG LIGHTS RECESSED IN BUMPER WITH ROCK GUARDS	6		\$511.00
311-001	DAYTIME RUNNING LIGHTS			STD
294-1AY	INTEGRAL LED STOP/TAIL/BACKUP LIGHTS			STD
300-043	LED SIDE TURN SIGNAL			STD
596-998	NO LOAD LOCK CARRIERS			STD
744-106	C-BAR MIRROR SYSTEM WITH DUAL HEATED MIRRORS WITH INTEGRAL HEATED CONVEX, DUAL REMOTE, STAINLESS STEEL BACK COVER, AND BLACK C-BAR			STD
796-001	102 INCH EQUIPMENT WIDTH			STD
743-209	LH AND RH CONVEX MIRRORS INTEGRAL WITH PRIMARY MIRRORS			STD
74A-001	RH DOWN VIEW MIRROR			STD
729-001	STANDARD SIDE/REAR REFLECTORS			STD
787-004	REMOTE KEYLESS ENTRY AND 2 TRANSMITTERS			STD
677-100	POLISHED ALUMINUM DIAMOND PLATE WST AFTERTREATMENT SYSTEM COVER			\$333.00
776-998	NO SLEEPER VENT			STD
764-020	STAINLESS STEEL EXTERIOR SUN VISOR WITH INTEGRAL MARKER LIGHTS	16		\$538.00
768-064	SINGLE SOLAR TINTED REAR WINDOW, (1) 31 INCH X 20 INCH			STD
76Z-998	NO SIDE SLEEPER CAP WINDOWS			STD
663-019	1-PIECE ROPED-IN SOLAR GREEN GLASS WINDSHIELD			STD
659-006	8 LITER (2 GAL) WINDSHIELD WASHER RESERVOIR, CAB MOUNTED, WITH FLUID LEVEL INDICATOR			STD

Cab Interior

055-016	X-SERIES PREMIUM INTERIOR TRIM LEVEL PACKAGE			N/C
707-1C4	CHARCOAL BLACK VINYL UP LEVEL INTERIOR			\$186.00
70K-017	CARBON WITH PREMIUM TEAK ACCENT			\$87.00
772-035	BLACK MATS WITH ADDED FLOOR HEAT AND NOISE INSULATION			\$167.00
785-014	(2) DASH MOUNTED POWER OUTLETS AND COIN TRAY			STD

Prepared for:
 Michael Lampert
 NEW ENGLAND TRUCK
 CENTER
 156 EPPING RD
 EXETER, NH 03833
 Phone: 603-778-8158

Data Code	Description	Weight Front	Weight Rear	Retail Price
691-001	FORWARD ROOF MOUNTED CONSOLE			STD
68L-998	NO AUX ELECTRICAL VAULT CLEAR SPACE REQUEST			STD
693-019	LH AND RH DOOR STORAGE POCKETS INTEGRATED INTO MOLDED DOOR PANELS			STD
741-015	(2) COAT HOOKS ON BACKWALL OF CAB			STD
738-021	DIGITAL ALARM CLOCK IN DRIVER DISPLAY			STD
742-998	NO CUP/THERMOS HOLDER			STD
720-035	2-1/2 LB. FIRE EXTINGUISHER MOUNTED INBOARD OF DRIVER SEAT	5		\$35.00
170-045	STANDARD HEATER PLUMBING WITH BALL SHUTOFF VALVES AT SUPPLY LINES ONLY			\$19.00
698-001	RADIATOR MOUNTED AIR CONDITIONER CONDENSER			STD
739-034	PREMIUM INSULATION			\$83.00
322-998	NO BAGGAGE COMPARTMENT LIGHT			STD
324-1B2	PREMIUM LED CAB LIGHTING			\$130.00
325-998	NO SLEEPER INTERIOR LAMP			STD
655-028	LH AND RH ELECTRIC DOOR LOCKS WITH AUTO UNLOCK FEATURE WHEN DOOR IS SET FROM OPEN TO CLOSED POSITION			STD
64C-003	BLACK DOOR HANDLES			STD
337-998	NO AC 120V CAB WIRING AND AC OUTLET			STD
722-028	TRIANGULAR REFLECTORS KIT WITHOUT FLARES SHIPPED LOOSE IN CAB	10		\$24.00
756-1J7	ELITE 2.0 HIGH BACK AIR SUSPENSION DRIVER SEAT W/2 AIR LUMBAR,ACTIVE BOLSTER,INTEGRATED CUSHION EXTENSION, TILT,ADJUSTABLE SHOCK, MAP POCKET, HEAT & VENTILATION	30		\$355.00
760-1J7	ELITE 2.0 HIGH BACK AIR SUSPENSION PASSENGER SEAT W/2 AIR LUMBAR,ACTIVE BOLSTER,INTEGRATED CUSHION EXTENSION,TILT,ADJUSTABLE SHOCK,MAP POCKET,HEAT & VENTILATION	45	20	\$371.00
757-002	BLACK SUSPENSION COVER FOR DRIVER AND PASSENGER SEATS	4		\$100.00
759-005	DUAL DRIVER AND PASSENGER SEAT ARMRESTS	8		\$73.00
758-131	BLACK LAREDO LEATHER DRIVER SEAT COVER WITH DIAMOND STITCHED CENTER PANELS AND EMBROIDERED LOGO			\$324.00

Prepared for:
 Michael Lampert
 NEW ENGLAND TRUCK
 CENTER
 156 EPPING RD
 EXETER, NH 03833
 Phone: 603-778-8158

Data Code	Description	Weight Front	Weight Rear	Retail Price
761-131	BLACK LAREDO LEATHER PASSENGER SEAT COVER WITH DIAMOND STITCHED CENTER PANELS AND EMBROIDERED LOGO			\$324.00
763-1AA	3 POINT ADJUSTABLE D-RING RETRACTOR DRIVER AND FIXED D-RING RETRACTOR PASSENGER SEAT BELTS			STD
725-998	NO SUPPLEMENTAL RESTRAINT SYSTEM			STD
532-002	ADJUSTABLE TILT AND TELESCOPING STEERING COLUMN			STD
540-070	4-SPOKE 18 INCH (450MM) LEATHER WRAPPED STEERING WHEEL WITH CHROME SWITCH BEZELS			\$129.00
765-021	DRIVER AND PASSENGER INTERIOR SUN VISORS WITH ILLUMINATED VANITY MIRRORS			\$27.00

Instruments & Controls

185-004	STANDARD FOOT PEDAL SYSTEM			STD
106-002	ELECTRONIC ACCELERATOR CONTROL			STD
870-002	BRIGHT ARGENT FINISH GAUGE BEZELS			\$29.00
734-018	STANDARD CENTER INSTRUMENT PANEL			STD
838-001	(1) SINGLE BRAKE APPLICATION AIR GAUGE			\$114.00
840-001	DUAL NEEDLE PRIMARY AND SECONDARY AIR PRESSURE GAUGE			STD
198-025	INTAKE MOUNTED AIR RESTRICTION INDICATOR WITHOUT GRADUATIONS			STD
721-001	97 DB BACKUP ALARM		3	\$34.00
149-015	ELECTRONIC CRUISE CONTROL WITH CONTROLS ON STEERING WHEEL SPOKES			STD
156-007	KEY OPERATED IGNITION SWITCH AND INTEGRAL START POSITION; 4 POSITION OFF/RUN/START/ACCESSORY			STD
3ZM-998	NO MULTIMEDIA BOX			STD
811-044	PREMIUM INSTRUMENT CLUSTER WITH 5.0 INCH TFT COLOR DISPLAY			STD
81B-003	DIGITAL PANEL LAMP DIMMER SWITCH IN DRIVER DISPLAY			STD
160-045	HEAVY DUTY ONBOARD DIAGNOSTICS INTERFACE CONNECTOR WITH DUST CAP LOCATED BELOW LH DASH			STD
844-001	2 INCH ELECTRIC FUEL GAUGE			STD
845-011	FUEL FILTER RESTRICTION INDICATOR			STD
148-072	ENGINE REMOTE INTERFACE WITH MULTIPLE SET SPEEDS			\$49.00

Prepared for:
 Michael Lampert
 NEW ENGLAND TRUCK
 CENTER
 156 EPPING RD
 EXETER, NH 03833
 Phone: 603-778-8158

Data Code	Description	Weight Front	Weight Rear	Retail Price
866-009	DUAL REAR AXLE TEMPERATURE GAUGES WITH SENSOR SHIELD			\$192.00
856-001	ELECTRICAL ENGINE COOLANT TEMPERATURE GAUGE			STD
854-001	ENGINE OIL TEMPERATURE GAUGE			STD
852-002	ELECTRIC ENGINE OIL PRESSURE GAUGE			STD
864-001	2 INCH TRANSMISSION OIL TEMPERATURE GAUGE			STD
867-004	ELECTRONIC OUTSIDE TEMPERATURE SENSOR DISPLAY IN DRIVER MESSAGE CENTER			STD
830-031	ENGINE, TRIP AND PTO HOUR METERS INTEGRAL WITHIN DRIVER DISPLAY			STD
* 372-123	PTO CONTROLS FOR ENHANCED VEHICLE ELECTRIC/ELECTRONIC ARCHITECTURE			STD
736-998	NO OBSTACLE DETECTION SYSTEM			(\$4,324.00)
49B-998	NO VEHICLE STABILITY ADVISOR OR CONTROL			(\$354.00)
73B-998	NO LANE DEPARTURE WARNING SYSTEM			(\$1,080.00)
35M-010	QUICKFIT PROGRAMMABLE INTERFACE MODULE	10		\$154.00
6TS-005	TMC RP1226 ACCESSORY CONNECTOR LOCATED BEHIND PASSENGER SIDE REMOVEABLE DASH PANEL			STD
746-135	AM/FM/WB WORLD TUNER RADIO WITH SIRIUSXM, BLUETOOTH, IPOD INTERFACE, USB AND AUXILIARY INPUTS, J1939			(\$75.00)
747-001	DASH MOUNTED RADIO			STD
750-041	STANDARD SPEAKER SYSTEM			STD
753-998	NO AM/FM RADIO ANTENNA			(\$11.00)
748-014	COBRA 29NW LTD CLASSIC FACTORY INSTALLED CB RADIO	5		\$184.00
749-001	ROOF/OVERHEAD CONSOLE CB RADIO PROVISION			STD
751-001	SINGLE REMOTE SPEAKER WITH LEAD FOR 2-WAY RADIO			STD
752-004	SINGLE FIBERGLASS LH MIRROR MOUNTED CB ANTENNA WITH BRACKET AND LEAD			STD
75W-001	HEADLINER MULTI-BAND ANTENNA: AM/FM/WEATHERBAND, WIFI/BLUETOOTH, GNSS/GPS			\$75.00
78C-003	INTEROPERABLE SDAR ANTENNA			\$91.00
75A-998	NO RADIO-MTG,UHF/VHF			STD
75B-998	NO ANTENNA-RADIO,UHF/VHF			STD

Prepared for:
 Michael Lampert
 NEW ENGLAND TRUCK
 CENTER
 156 EPPING RD
 EXETER, NH 03833
 Phone: 603-778-8158

	Data Code	Description	Weight Front	Weight Rear	Retail Price
	737-998	NO TELEVISION ANTENNA/PROVISION			STD
	810-027	ELECTRONIC MPH SPEEDOMETER WITH SECONDARY KPH SCALE, WITHOUT ODOMETER			STD
	812-032	ELECTRONIC 2500 RPM TACHOMETER			STD
	813-1C8	DETROIT CONNECT PLATFORM HARDWARE			STD
	8D1-205	5 YEARS DETROIT CONNECT BASE PACKAGE (FEATURES VARY BY MODEL) DETROIT CONNECT PLATFORM			N/C
	8D2-998	NO PREMIUM REMOTE UPDATES SERVICE			STD
	162-002	IGNITION SWITCH CONTROLLED ENGINE STOP			STD
	329-133	FOUR EXTRA HARDWIRED SWITCHES IN DASH, ROUTE TO BETWEEN SEATS, BLUNTCUT			\$150.00
	4C1-025	HARDWIRE SWITCH #1, ON/OFF LATCHING, 20 AMPS IGNITION POWER			\$15.00
	4C2-025	HARDWIRE SWITCH #2, ON/OFF LATCHING, 20 AMPS IGNITION POWER			\$15.00
	4C3-016	HARDWIRE SWITCH #3, ON/OFF LATCHING, 20 AMPS IGNITION POWER			\$15.00
	4C4-016	HARDWIRE SWITCH #4, ON/OFF LATCHING, 20 AMPS IGNITION POWER			\$15.00
	81Y-005	PRE-TRIP INSPECTION FEATURE FOR EXTERIOR LAMPS ONLY			STD
	482-001	BW TRACTOR PROTECTION VALVE			\$120.00
N	883-027	WINCH BRAKE, APPLIES 45 PSI AIR TO STEER AXLE SERVICE BRAKES WHEN PARKED, AND NO TRAILER HAND CONTROL BRAKE VALVE			\$130.00
	842-001	2 INCH TURBO AIR PRESSURE GAUGE			STD
	836-015	DIGITAL VOLTAGE DISPLAY INTEGRAL WITH DRIVER DISPLAY			STD
	304-030	ROTARY HEADLAMP SWITCH, MARKER LIGHTS/HEADLIGHTS SWITCH WITH PULL OUT FOR OPTIONAL FOG/ROAD LAMPS			N/C
	882-004	TWO VALVE PARKING BRAKE SYSTEM WITH WARNING INDICATOR			\$30.00
	299-020	SELF CANCELING TURN SIGNAL SWITCH WITH DIMMER, HEADLAMP FLASH, WASH/WIPE/INTERMITTENT			STD
	4E1-998	NO SW RCPTS & WRG, ALTN CSL LOC			STD
	48H-004	QUICKFIT POWERTRAIN INTERFACE CONNECTOR UNDER CAB WITH BLUNTCUTS			\$96.00
	4CH-005	5 EXTRA PROGRAMMABLE SWITCHES/INDICATORS			\$116.00

Prepared for:
Michael Lampert
NEW ENGLAND TRUCK
CENTER
156 EPPING RD
EXETER, NH 03833
Phone: 603-778-8158

Data Code	Description	Weight Front	Weight Rear	Retail Price
48C-004	QUICKFIT PROGRAMMABLE INTERFACE CONNECTOR(S) UNDER CAB WITH BLUNTCUTS			\$46.00
Design				
065-000	PAINT: ONE SOLID COLOR			STD
Color				
980-5F6	CAB COLOR A: L0006EY WHITE ELITE EY			STD
986-020	BLACK, HIGH SOLIDS POLYURETHANE CHASSIS PAINT			STD
Certification / Compliance				
996-001	U.S. FMVSS CERTIFICATION, EXCEPT SALES CABS AND GLIDER KITS			STD
Secondary Factory Options				
999-034	DEALER ADVISED AND ACCEPTS TERMS OF PIL#395; SPEED OF LOADED VEHICLE MUST BE LIMITED TO 5 MPH MAXIMUM WHEN LIFTABLE AXLE IS RAISED			N/C
* 9EE-001	CEEA+ 667 ELECTRICAL ARCHITECTURE			N/C
* 81Z-006	CEEA+ PRODUCTION SOFTWARE PACKAGE (EMERALD)			N/C
* 817-001	STANDARD VEHICLE SPEED SENSOR			N/C
* 514-064	315/80R22.5 20 PLY RADIAL FRONT TIRES			N/C
* 516-006	295/75R22.5 16 PLY RADIAL REAR TIRES			N/C
* 520-611	CONTINENTAL HDL2+ ECO PLUS FRONT TIRES			N/C
* 521-611	CONTINENTAL HDL2+ ECO PLUS REAR TIRES			N/C
Raw Performance Data				
5LA-028	CFS,LH,OB,#1,START 28" BOC			N/C
5LB-099	CFS,LH,OB,#1, 99" LONG			N/C
5MA-011	CFS,RH,OB,#1,START 11" BOC			N/C
5MB-099	CFS,RH,OB,#1, 99" LONG			N/C
Sales Programs				
RD1-205	5 YRS DETROIT CONNECT BASE PKG (FEATURES VARY BY MODEL) DETROIT CONNECT PLATFORM			N/C

T O T A L V E H I C L E S U M M A R Y

Adjusted List Price

Prepared for:
 Michael Lampert
 NEW ENGLAND TRUCK
 CENTER
 156 EPPING RD
 EXETER, NH 03833
 Phone: 603-778-8158

Weight Summary

	Weight Front	Weight Rear	Total Weight
Factory Weight ⁺	10253 lbs	7098 lbs	17351 lbs
Total Weight⁺	10253 lbs	7098 lbs	17351 lbs

ITEMS NOT INCLUDED IN ADJUSTED LIST PRICE

Other Factory Charges

PNZ-003	CARB22 BASE WARRANTY SURCHARGE DD13 / X12	\$1,350.00
PMV-998	NO ESCALATOR	STD
RFY-022	FRONT TIRE SURCHARGE	\$50.00
RFU-022	REAR TIRE SURCHARGE	\$200.00
RFZ-023	MY23 PRODUCTION COST SURCHARGE	\$4,500.00
P73-2WS	STANDARD DESTINATION CHARGE	\$2,700.00

(+) Weights shown are estimates only.

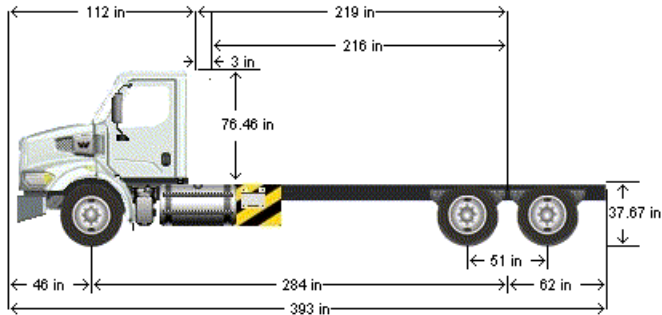
If weight is critical, contact Customer Application Engineering.

(**) Prices shown do not include taxes, fees, etc... "Net Equipment Selling Price" is located on the Quotation Details Proposal Report.

(***) All cost increases for major components (Engines, Transmissions, Axles, Front and Rear Tires) and government mandated requirements, tariffs, and raw material surcharges will be passed through and added to factory invoices.

Prepared for:
 Michael Lampert
 NEW ENGLAND TRUCK
 CENTER
 156 EPPING RD
 EXETER, NH 03833
 Phone: 603-778-8158

D I M E N S I O N S



VEHICLE SPECIFICATIONS SUMMARY - DIMENSIONS

Model	47X
Wheelbase (545)	7225MM (285 INCH) WHEELBASE
Rear Frame Overhang (552)	1575MM (62 INCH) REAR FRAME OVERHANG
Fifth Wheel (578)	NO FIFTH WHEEL
Mounting Location (577)	NO FIFTH WHEEL LOCATION
Maximum Forward Position (in)	0
Maximum Rearward Position (in)	0
Amount of Slide Travel (in)	0
Slide Increment (in)	0
Desired Slide Position (in)	0.0
Cab Size (829)	111 INCH BBC CONVENTIONAL ALUMINUM CAB
Sleeper (682)	NO SLEEPER BOX/SLEEPER CAB
Exhaust System (016)	RH OUTBOARD UNDER STEP MOUNTED HORIZONTAL AFTERTREATMENT SYSTEM ASSEMBLY WITH RH HORIZONTAL TAILPIPE

TABLE SUMMARY - DIMENSIONS

Prepared for:
 Michael Lampert
 NEW ENGLAND TRUCK
 CENTER
 156 EPPING RD
 EXETER, NH 03833
 Phone: 603-778-8158

Dimensions	Inches
Bumper to Back of Cab (BBC)	111.6
Bumper to Centerline of Front Axle (BA)	46.5
Min. Cab to Body Clearance (CB)	3.0
Back of Cab to Centerline of Rear Axle(s) (CA)	219.3
Effective Back of Cab to Centerline of Rear Axle(s) (Effective CA)	216.3
Back of Cab Protrusions (Exhaust/Intake) (CP)	2.0
Back of Cab Protrusions (Side Extenders/Trim Tab) (CP)	0.0
Back of Cab Protrusions (CNG Tank)	0.0
Back of Cab Clearance (CL)	3.0
Back of Cab to End of Frame	281.3
Cab Height (CH)	76.5
Wheelbase (WB)	284.4
Frame Overhang (OH)	62.0
Overall Frame Length	391.6
Overall Length (OAL)	392.9
Rear Axle Spacing	51.0
Unladen Frame Height at Centerline of Rear Axle	37.7

Performance calculations are estimates only. If performance calculations are critical, please contact Customer Application Engineering.



Terms & Conditions

- Once the buyer accepts this order, the buyer's deposit is not refundable unless the buyer cannot take delivery of the said vehicle(s) for a reason beyond the buyer's control. In that event, the dealer may, but will not be required to return the deposit to the buyer, less any expenses which the dealer has incurred in accepting and processing this order. The buyer's failure to obtain financing before scheduled delivery is not a reason beyond the buyer's control.
- The buyer will be subject to any price increase and or surcharge that are received by the dealer pertaining to the chassis or body.
- The buyer will be subject to any price increase on raw materials / parts that are incurred from the time of placing the order to the actual time of build and delivery of the unit(s).
- By signing this the buyer acknowledges having read and agreeing to these terms and conditions.

Date: _____

Signature of Purchaser: _____

Opp# _____ Chassis: _____ Body: _____

NETC Representative: _____

"Everything Truck"

156 Epping Road Exeter NH 03833 +1 603 778 8158

www.NEtruckcenter.com

Quote

156 Epping Rd.
 Exeter, NH 03833
 (603)778-8158
 www.netruckcenter.com

Date	Estimate #
2/1/2022	456512

Name / Address
New England Truck Center 156 Epping Road Exeter, NH 03833

OP#	PO #
456512	STOCK

Item	Description	Qty	Total
Chassis	2023 WESTERN STAR 47X VIN# UG9068 FET INCLUDED	1	161,815.00
Bodies	2021 NRC 30TB-28' SERIAL# TBD	1	55,365.00
FET Payable	BODY FET	1	8,560.06
C-NC20	30 000 TB	1	0.00
C-3028	28'-30 000-TB	1	0.00
C-NC46	COMPLETE EQUIPMENT	1	0.00
C-D415	5 CHAIN SLOTS PER SIDE (18 TOTAL FOR 25', 26', 27', 28', 29', 30')	1	0.00
C-D44-4	SINGLE ROW OF (4) EXTRA CHAIN SLOTS IN THE CENTER OF DECK	1	0.00
C-D117-1	3/16" CHECKER PLATE DECK (STANDARD)	1	0.00
C-DISCLAIMER	CUSTOMER, FINAL PURCHASER OR END USER HAS BEEN INFORMED OF THE RISKS AND BENEFITS OF HOT DIP GALVANIZING (HDG) OF HIS NRC CAR CARRIER DECK	1	0.00
C-C3	FLAT TOP DECK WITH STAKE POCKET, WITHOUT REMOVABLE RAILS	1	0.00
C-B3S	3" HIGH X 9" SPACING (STANDARD FOR 30 000-TB AND 40 000-TB)	1	0.00
C-L16	5 MARKER LIGHTS PER SIDE	1	0.00
C-T04	DP 20,000 LBS WITH 5/8" X 75' WIRE ROPE (OPTION FOR 30 000-TB)	1	0.00
C-NC30	75' WIRE ROPE	1	0.00
C-CR01	SWIVEL HOOK	1	0.00
C-NC25	TANDEM AXLE	1	0.00
C-12V	12V WIRING	1	0.00
C-NC45	SUPER MEDIUM DUTY STINGER WITH 4X4 T-BAR (STANDARD FOR 30 000-TB)	1	0.00
C-G20	GALVANIZED SUB-FRAME AND BUMPER	1	0.00
C-NC17	CLEAR MARKER LIGHT	1	0.00
C-L118	8 X 4 1/2" LIGHT (6 RED (STOP-FLASH) / 2 BACKUPS) - ON BUMPER	1	0.00
		Total	

Quote

156 Epping Rd.
 Exeter, NH 03833
 (603)778-8158
 www.netruckcenter.com

Date	Estimate #
2/1/2022	456512

Name / Address
New England Truck Center 156 Epping Road Exeter, NH 03833

OP#	PO #
456512	STOCK

Item	Description	Qty	Total
C-NC11	LEVER CONTROL STANDARDS	1	0.00
C-S052	STAINLESS ON REAR BUMPER	1	0.00
C-G012	STABILIZER GRIP (40,000 LBS) (5X5)	1	0.00
C-L112-1	2 LED WORK LIGHTS ON TOP OF THE REAR BUMPER	1	0.00
C-A432	TRAILER HITCH & PINTLE HOOK ADAPTOR (4 HOLES) (T-BAR 4X4)	1	0.00
C-A1	STANDARD CHAIN RACK	1	0.00
C-A12	STD WINCH EMBEDDED IN CHAIN RACK	1	0.00
C-L118	8 X 4 1/2" LIGHT (6 RED (STOP-FLASH) / 2 BACKUPS) - ON CHAIN RACK	1	0.00
C-NC40	CHAIN RACK NRC BLACK PAINT	1	0.00
C-S093	STAINLESS ON SIDES AND HEAD OF CHAIN RACK	1	0.00
C-L112-1	2 LED WORK LIGHTS ON TOP OF THE CHAIN RACK	1	0.00
C-LO6P	WIRELESS REMOTE CONTROL LODAR 6 BUTTONS	1	0.00
C-A421	RECOVERY ROLLER GUIDE (ROLLBACK)	1	0.00
C-S056	STAINLESS ON OIL TANK	1	0.00
C-NC110	WIRED TOWLIGHT ONLY	1	0.00
C-T6	TOUCHPAD WITH FUSELESS LIGHTING SYSTEM CONTROLLER	1	0.00
C-NC26	"BLACK POLYMER CONTROL BOXES (STANDARD)	1	0.00
C-RACK6	74" (1880MM) - HEIGHT ABOVE FRAME RAILS (C#6)	1	0.00
C-PGAL-2	DECK GALVANIZED (OPTION FOR 24'-30' DECKS) UNCONFIGURABLE ITEMS	1	0.00
DESTTRANSPORT	DESTINATION TRANSPORT CHARGE	1	1,300.00
DEALERINSTALL	DEALER INSTALL W/ PTO	1	9,550.00
72AMBJUSTLB-INST	72" AMBER JUSTICE LIGHT BAR INSTALLED	1	2,050.00
TU823503-INST	48" STAINLESS TOOLBOX INSTALLED	1	1,034.84
TU824003-INST	60" STAINLESS TOOLBOX INSTALLED	3	3,334.02
	TOOLBOX LAYOUT MAY CHANGE ONCE CHASSIS ARRIVES AND FINAL MEASUREMENTS CAN BE TAKEN		
SUBLET NETC	STANDARD STOCK PAINT / DETAIL	1	0.00
		Total	

Quote

156 Epping Rd.
 Exeter, NH 03833
 (603)778-8158
 www.netruckcenter.com

Date	Estimate #
2/1/2022	456512

Name / Address
New England Truck Center 156 Epping Road Exeter, NH 03833

OP#	PO #
456512	STOCK

Item	Description	Qty	Total
4409T67-INST	HOSE TRACK INSTALLED	1	0.00
30TBINSTALKIT-IN...	30TB INSTALL KIT	1	0.00
Total			\$243,008.92

ONCE THE BUYER ACCEPTS THIS ORDER, THE BUYER'S DEPOSIT IS NOT REFUNDABLE UNLESS THE BUYER CANNOT TAKE DELIVERY OF SAID VEHICLE(S) FOR A REASON BEYOND THE BUYER'S CONROL. IN THAT EVENT, THE DEALER MAY, BUT WILL NOT BE REQUIRED TO, RETURN THE DEPOSIT TO THE BUYER, LESS ANY EXPENSES WHICH THE DEALER HAS INCURRED IN ACCEPTING AND PROCESSING THIS ORDER. THE BUYER'S FAILURE TO OBTAIN FINANCING BEFORE SCHEDULED DELIVERY IS NOT A REASON BEYOND THE BUYER'S CONTROL. THE BUYER WILL ALSO BE SUBJECT TO ANY PRICE INCREASES THAT ARE RECEIVED BY THE DEALER PERTAINING TO THE CHASSIS OR BODY. BY SIGNING THIS THE BUYER ACKNOWLEDGES HAVING READ AND AGREEING TO THESE TERMS AND CONDITIONS.

Signature _____