



**PUOOSV**  
**POP-UP POWER CENTER**



BCP Pop Up Power Centers complement any furniture. Their compact shape is designed to be mounted into all types of applications. When closed they sit flush, creating an attractive and minimal appearance. Simply press the button for quick access to power and data.

They're designed specifically for areas that are prone to spills from liquids, including communal tables, lounges and other public spaces. Easily mounts into all types of furniture for convenient power and charging access on demand.

**Standard Features**

- 2 Tamper Resistant AC Outlets
- 6 ft. power cord
- 15 A
- Power Cable: 14AWG Wire Right-angled round plug
- UL/CUL Listed for mounting in furniture

**Product Information**

<b>Product</b>	PUOOSV		
<b>Color</b>	Silver & Black		
<b>Dimensions</b>	L	W	D
<b>Inches</b>	5.43	5.31	2.56
<b>Weight</b>	2.45 lb.		
<b>Warranty</b>	1 year		





**PUOOSV**  
**POP-UP POWER CENTER**

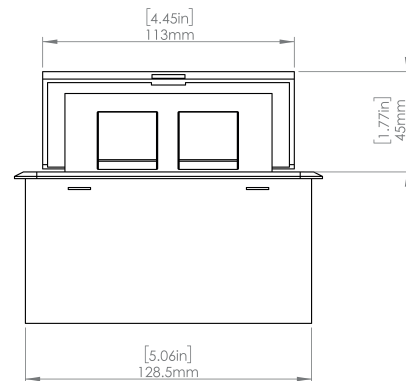
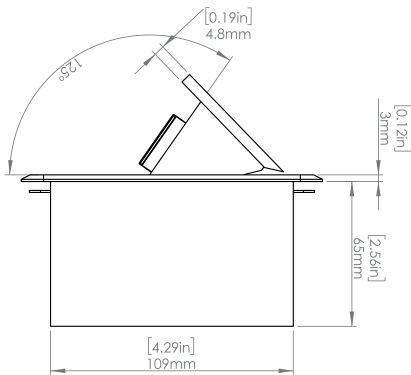
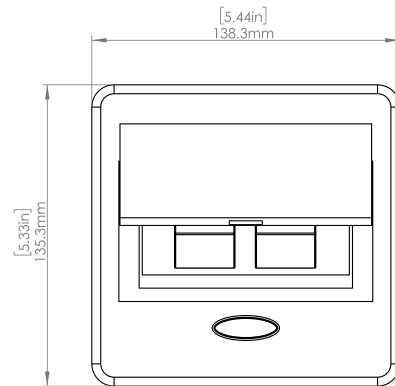
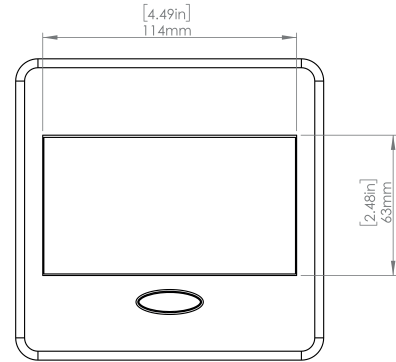
**How to install**

Requires a cut out in the work surface in order to sit flush.

**Step 1:** Mark the area according to the hole cut out size L 5.12in W 4.33in. Make sure the surface is clean and dry.

**Step 2:** Cut out carefully where marked.

**Step 3:** Insert the Pop-Up Power Center into the hole including the powercord, until it fits snugly, secure with 4 screws provided.



**Hole Size**

