



156 Epping Road Exeter, NH 03833

800-261-7219

Stock Number: #STOCK KW T280

2025 Kenworth T280

Details:

- 2024 NRC 20TB - 22'
- Fully Galvanized Deck and Subframe
- Lodar Remote
- 10k Winch
- Paccar PX-7
- 300HP
- Allison 2500 RDS
- Full Chassis / Body spec attached

Price: \$178,574



Vehicle Summary

	Unit		Chassis
Model:	T280 Series Conventional	Fr Axle Load (lbs):	10000
Type:	FULL TRUCK	Rr Axle Load (lbs):	20000
Description 1:	T2804X2 RB	G.C.W. (lbs):	26000
Description 2:			
	Application	Road Conditions:	
Intended Serv.:	Local Pickup & Delivery: Vehicles which	Class A (Highway)	90
Commodity:	Auto Transporter	Class B (Hwy/Mtn)	10
		Class C (Off-Hwy)	0
		Class D (Off-Road)	0
Type:	Body	Maximum Grade:	6
Length (ft):	Roll Back Flatbed	Wheelbase (in):	232
Height (ft):		Overhang (in):	75
Max Laden Weight (lbs):	4000	Fr Axle to BOC (in):	69.5
		Cab to Axle (in):	162.5
	Trailer	Cab to EOF (in):	237.5
No. of Trailer Axles:	0	Overall Comb. Length (in):	347
Type:			
Length (ft):	0	Special Req.	
Height (ft):	0	U.S. Domestic Registry, 50-state.	
Kingpin Inset (in):	0		
Comer Radius (in):	0		
	Restrictions		
Length (ft):	75		
Width (in):	102		
Height (ft):	13.5		

Approved by: _____

Date: _____

Note: All sales are F.O.B. designated plant of manufacture.

Sales Code	Std/ Opt	Description	\$ List	Weight
Model				
0000280	S	T280 Series Conventional	106,113	9,170
0070075	S	T280 Aero Hood	0	0
0080050	O	CARB Clean Idle Label - PACCAR PX Engines	36	0
0080314	O	EPA Clean Idle Label - PACCAR PX Engines	36	0
0090142	O	T280	0	0
0098421	O	State of Registry: Massachusetts	0	0
Engine & Equipment				
0130124	O	PACCAR PX-7 300 300@2600 660@1400, 2024 With Turbo Exhaust Brake (VGT Brake) N09420 C333 0.....Reserve Speed Limit Offset (N09380 C334 0.....Maximum Cycle Distance (N202 N09360 C400 252...Reserve Speed Function Reset N09200 C399 120...Standard Maximum Speed Limit N09400 C401 10....Maximum Active Distance (N20 N09220 C402 0.....Expiration Distance (N207) N09540 C395 0.....Expiration Distance (N209) N09260 C121 70....Max Vehicle Speed In Top Gea N09440 C234 NO....Engine Protection Shtdwn N09460 C231 NO....Gear Down Protection N09580 C133 5....Idle Shtdwn Time N09680 C233 NO....Idle Shtdwn Override N09480 C132 1400..Max PTO Speed N09300 C128 70....Max Cruise Control Speed N09500 C239 NO....Cruise Control Auto Resume N09520 C238 NO...Auto Engine Brake in Cruise N09780 C190 80....High Ambient Temperature Thr N09740 C188 40....Low Ambient Temperature Thre N09760 C189 60....Intermediate Ambient Tempera N09720 C382 YES...Enable Hot Ambient Automatic N09600 C396 YES...Enable Impending Shutdown Wa N09620 C397 60....Timer For Impending Shutdown N09640 C206 35....Engine Load Threshold N09560 C225 YES...Enable Idle Shutdown Park Br	2,411	0
1000047	O	CARB Emissions Warranty Engine	0	0
1000151	S	PremierSpec	0	0
1000242	O	Gearing Analysis: Fuel Economy fuel efficiency results.	0	0
1000257	O	Customer's Typical Operating Spd: 70 MPH	0	0

Sales Code	Std/ Opt	Description	\$ List	Weight
1000524		RegistrationYear Year of Registration: 2024	0	0
1000684		Effective VSL Setting NA	0	0
1000858	O	Engine Idle Shutdown Timer Disabled	0	0
1000859	O	Enable EIST Ambient Temp Override	0	0
1000891		Eff EIST NA Expiration Miles Use only with MX and Cummins engines	0	0
1002060	S	Air Compressor: Cummins 18.7 CFM For Cummins And PACCAR PX engines.	0	0
1041399	S	Air Cleaner: MD Composite Engine Mounted	0	0
1099080	O	Pre-Cleaner Mounted in the Hood Plenum	322	7
1105261	S	Fan Hub: Horton On/Off for PX-7 or B6.7N	0	0
1121231	S	Cooling Module: 2.1M MD - Aero Hood 1000 Square Inches	0	0
1247278	S	EXH: Single Can 2024 PX-7 Horizontal Under Rail With Horizontal Tailpipe Below Rail RH Rail Back-of-Cab	0	0
1321102	S	Fuel Filter: PACCAR 2.1M MD for PX-7 or PX-9 Fuel/water separator for 2021 and later engines.	0	0
1321200	S	Run Aid:None *For Fuel Filter	0	0
1321300	S	Start Aid:None *For Fuel Filter	0	0
1504006	O	Block Heater: PACCAR 750 watt 120V for PX-7 and B6.7N. 1000 watt for PX-9 and ISL9 Engines.	26	2
1816160	O	Alternator: 160 amp Brush Type T3	-189	0
1821225	O	Batteries: 2 PACCAR GP31 Threaded Post (1000) 2000 CCA starting.	12	4
1836106	O	Mitsubishi 105P55 12V Starter with Cummins and PX PACCAR 12 volt electrical system. W/ centralized power distribution incorporating plug-in style relays. Circuit protection for serviceability, 12-volt light system w/circuit protection circuits number & color coded. Only for Cummins or PX engines.	39	0
1900996	O	Jump Start Terminals Under Hood.	71	0
1901017	O	Remote PTO/Throttle, 12-PIn, Engine Bay Remote Control Provision	105	0
Transmission & Clutch				
2010643	O	Transmission: Allison 2500RDS 6-speed, With PTO drive gear. 6th Generation controls. Includes heat exchanger. Rugged Duty Series for vocational applications. Transynd transmission fluid is standard on all Allison 1000, 2000, 3000 & 4000 series transmissions.	3,794	91

Sales Code	Std/ Opt	Description	\$ List	Weight
2406811	O	Driveline: 3 Dana SPL100a 2 Centerbearings light duty	409	47
2410018	O	Torque Converter Included W/ Allison Transmission.	0	0
2410153	O	Push Button Shifter Controls, Center Console Mounted for Allison Transmission. 2.1m Medium Duty only.	0	0
2410204	O	Allison Fuel Sense: Delete	0	0
2410244	O	J1939 Park Brake Auto Neutral	0	0
2410310	O	Allison Neutral at Stop	0	0
2429097	O	C/I 1st Allison 1000/2000 Transmission PTO 9 O'Clock Position	0	0
Front Axle & Equipment				
2501010	O	Dana Spicer E-1002IL Front Axle rated 10K 3-1/2in. drop. Use w/ air brakes only.	265	0
2621310	O	Front Brakes: 14.6K Bendix ES S-Cam 16.5x5 in.	-152	-62
2659047	O	Front Dustshield: for Drum Brakes: All Front Axles.	58	6
2690002	O	Front Brake Drums: 14.6K 16.5x5 in. cast.	418	0
2701300	O	Front Hub: Aluminum Hub Pilot 13,200 lbs. 10-Bolt, 11-1/4 in. bolt circle .	47	0
2741970	S	ConMet PreSet Plus Hub Package; Front Axle.	0	0
2750001	S	Hubcap: Front Vented.	0	0
2765001	S	Front Auto Slack Adjuster for Drum Brakes.	0	0
2882001	S	Front Springs: Mono-leaf 10K W/ Shock Absorbers With maintenance-free elastomer spring pin bushings.	0	0
2895223	S	Single Power Steering Gear: 13.2K for Air Brakes.	0	0
2900055	O	5 mm Front Suspension Spacer Block	0	0
2900612	O	Threaded Front Spring Bushings in Place of elastomeric.	62	0
Rear Axle & Equipment				
3032205	O	Single Meritor MS21-14x4 Rear Axle rated at 20K.	877	128
3200463	O	Rear Axle Ratio - 4.63.	0	0
3330004	S	Single Rear Brakes 16-1/2x7 in. Bendix ES-extended service S-cam.	0	0

Sales Code	Std/ Opt	Description	\$ List	Weight
3392007	S	Single Rear Brake Drums: Cast S-Cam Single For use with 15x8.625", 16.5X7" or 16.5X8.625" brake.	0	0
3401010	O	Single Rear Hubs: Aluminum Hub Pilot 23K; 11.25" bolt circle. Requires "R" series outer ends.	134	-26
3441971	S	ConMet PreSet Plus Hub Package; Single Rear Axle.	0	0
3465001	S	Single Rear Axle Automatic Slack Adjusters. For use with drum brakes.	0	0
3485007	O	Spring Brake: 3030 Long Stroke Single 3 In. travel. For drum brakes. Helps keep brakes in adjustment longer.	10	4
3490047	O	Dustshields for Drum Brakes: All Rear Axles.	112	11
3495226	S	Bendix 4S/4M Anti-Lock Brake System.	0	0
3511080	O	Meritor Driver Controlled Differential Lock for single rear axle.	872	0
3630021	O	Rear suspension: single Kenworth Airglide 210L 21K. 6.5 in. ride height w/single leveling valve. Includes air suspension dump valve.	1,353	29
Tires & Wheels				
4038660	O	Front tires: Goodyear Endurance RSA 255/70R22.5 16PR. 36.7in. Diameter, all positions, 17.3 SLR.	296	-42
4238742	O	Rear tires:Goodyear Fuel Max RTD 255/70R22.5 16PR	436	-80
4900004	O	Rear Tire Quantity: 4	0	0
5043550	O	Front Wheel: Alcoa ULA18 22.5x8.25 MagnaForce aluminum alloy, hub-pilot mount. 7400lb maximum rating. Air Disc Brake compatible. High polish.	407	-51
5243550	O	RearWheel: Alcoa ULA18 22.5x8.25 MagnaForce aluminum alloy, hub-pilot mount. 7400lb maximum rating. Air Disc Brake compatible. High polish.	814	-102
5859010	O	Single Front Axle: 2 wheels Dura-Bright Mirror Polish Dura-Bright outboard surface of aluminum wheels.	238	0
5859011	O	Single Rear Axle Wheels: 2 Wheels Dura-Bright Mirror Polish. Dura-Bright outboard surface of outer dual or single aluminum wheels.	357	0
5900004	O	RearWheel/Rim Quantly: 4	0	0
Frame & Equipment				
6054410	O	Frame Rails: 10-5/8 x 3-1/2 x 5/16 in. Steel to 309 in. to 380 in. Truck frame weight is 2.91 lb.-in. per pair of rails. Section modulus is 14.80 cu.in., RBM is 1,776,000 in-lbs per rail. 120,000 PSI yield. Heat treated. Frame rail availability may be restricted based upon application, axle/suspension capacity, fifth wheel setting, or component/dimensional specifications. The results of the engineering review may result in a change to the requested frame rail. If a change is	666	284

Sales Code	Std/ Opt	Description	\$ List	Weight
		required Kenworth Application Engineering will advise the dealer of the appropriate material specification for a substitute rail.		
6308715	O	Bumper: Aerodynamic Chrome Requires a Bumper setting code.	1,094	68
6319040	S	40 In. Bumper Setting. Requires a Bumper Code.	0	0
6321010	S	Front Tow Loops: Two	0	0
6391201	O	Custom Frame Layout: One Chassis CFL A/D: LOCATE AIR DRYER INSIDE FRAME RAIL	1,380	0
6404421	O	Battery Box: Steel Parallel Module under W/Step, polished aluminum cover. Use with 2 or 3 batteries. Up to 2 air tanks may be mounted to bottom of box. Batteries will be oriented perpendicular to the frame rail in a single row.	408	9
6409210	O	Rubber Battery Pad in Bottom of Battery Box. For cantilever-style or between the rails battery boxes.	12	2
6409902	S	Battery Box Location: RH Side.	89	0
6490138	S	Stamped Steel Intermediate/ Fill-In Crossmember.	0	0
6490434	O	Heavy-Duty 5-Piece Rear Cab Support, Bolted assembly. Huck fastened to frame.	57	15
6679021	O	Class 6 26K GVWR, for Air Brakes Only. Requires GAWR front 10K, GAWR rear 20K; front axle 10K, front spring 10K, rear axle 20K. Maximum rear suspension is 23K.	0	0
6679864	O	Final End-of-Frame Cut-Off Dimension Will be modified to greater than or equal to 75 in.	0	0
6742009	S	Square End-of-Frame W/O Crossmember; Non-Towing.	0	0
Fuel Tanks & Equip				
7140070	O	70 US Gallon D-Shape Rectangular Aluminum Under fuel tank, replace. With non-slip step.	93	0
7722170	S	Small DEF Tank, 5.5 Gallons.	0	0
7839006	O	Polished Fuel Tank Steps.	29	0
7840015	O	Polish Only One Aluminum Tank.	142	0
7840038	O	Polished Cover for 1 DEF Tank Any Size.	241	3
7889061	O	Polished Stainless Steel Tank Straps for 1 Tank.	95	0
7889206	O	Minimum Required DEF to Fuel Fill Ratio.	0	0
7889614	O	DEF Tank Location is LH BOC. For 2.1M Medium-Duty	0	0
7920070	O	Location: 70 gal fuel tank LH under cab	0	0

Sales Code	Std/ Opt	Description	\$ List	Weight
Cab & Equipment				
8024311	S	Cab: Stamped Aluminum with Curved Windshield LED markers. Requires separate roof code.	0	0
8090155	O	Hood: Med Aero w/ Chrome Crown	95	0
8108002	O	Fine Particulate Filter for Cabin Air HVAC system. To provide extra filtration in high dust applications. Cabin airflow is reduced with this additional filter. *Cannot be used with code 8108003.	35	0
8108011	S	Cab HVAC - Day Cab and 40 in. Sleeper System With Defrost, A/C, and 48,000 BTU/hr Heater. Includes automatic temperature control with one touch defrost operation and dash mounted cab temperature and solar intensity sensors. Pleated fresh air filter and cabin recirculation air filter standard. The Kenworth HVAC system is designed to provide optimal heating and cooling in all operating environments without need for additional insulation. Cab HVAC without sleeper heater AC is available with 40in sleeper.	0	0
8201047	O	Kenworth Smartwheel: 18 in. Non-Leather With Integrated Radio and Cruise Controls.	116	0
8201200	S	Adjustable Telescoping Tilt Steering Column.	0	0
8203060	O	5 Sets of Keys. Replaces Standard 2 Sets of Keys.	34	0
8205177	O	Dash Switch:1st Allison-Mounted PTO. Electric switch and wiring are factory-installed to control the 1st Allison Trans mounted PTO.	167	0
8205291	O	Info for C/I PTO: Muncie 6 Bolt	0	0
8222400	O	Gauge: DD Virtual Gauge - Air Suspension Pressure 1	72	0
8222409	O	Gauge: DD Virtual Gauge - Air Filter Restriction	0	0
8222413	O	Gauge: DD Virtual Gauge - Manifold Pressure Boost	0	0
8222414	O	Gauge: DD Virtual Gauge - Engine Percent Torque	0	0
8222418	O	Gauge: DD Virtual Gauge - Engine Hours Instrument Cluster	0	0
8222419	O	Gauge: DD Virtual Gauge - Volts Instrument Cluster	0	0
8282024	S	Main Instrument Package: 7" Digital Display Cluster. Includes Physical (Analog): Speedometer, Tachometer, Oil Pressure, and Coolant Temp; and Digital: Fuel Level #1, DEF Level, DPF Filter Status, Fuel Economy, Volts Telltale, OAT and Primary Air	0	0

Sales Code	Std/ Opt	Description	\$ List	Weight
		Pressure, Secondary Air Pressure, and Air Application for air brake trucks.		
8282108	O	Modular Dash Options: RH Dash Storage Unit With two shelves. Reduces total gauge count; HD by 6 and MD by 4.	46	0
8330591	S	Interior Trim Package: 2.1M MD Gray Foam Backing/Cloth Headliner W/Gray Sunvisor & Seat Color Three Underdash Center Console Cupholders (Two If Allison Transmission Is Selected).	0	0
8410122	O	Driver Seat: KW Air Seat HB Vinyl w/ Dual Armrests/Susp Cover/Isolator Lever	191	0
8478051	S	Rider Seat: KW Toolbox 2-Man Bench Vinyl	0	0
8490161	O	Seat Color: Black Replacing Standard Gray	0	0
8601432	O	Kenworth Radio DEA710 AM/FM/WB/USB, Bluetooth	394	0
8698965	O	Speaker Package For Cab: (2) Speakers B-Pillar	51	0
8700161	O	Footwell Light: Red Lens & Switch	12	0
8700196	S	Turn Signal: Self-Cancelling	0	0
8700283	S	LH and RH Trip Ledge Rain Deflectors	0	0
8700663	O	Kenworth TruckTech+: This system provides the World's Best reporting of engine and aftertreatment fault codes, as well as enhanced support for the truck owner through rapid communication of fault severity and recommended actions. This is standard on all Kenworth models with a PACCAR MX engine, Cummins X15 engine, PX engine or Natural Gas engine.	0	0
8700674	O	Kenworth TruckTech+ Disabled from Factory to comply with Massachusetts Right to Repair Law.	0	0
8800272	O	Grabhandle: RH, Exterior, Side of Cab - Ergonomic Grab Handle Mounted To The Right Hand Exterior Of The Cab For Entry and Exit.	122	3
8800372	O	Grabhandle: LH, Exterior, Side of Cab - Ergonomic Grab Handle Mounted To The Left Hand Exterior Of The Cab For Entry and Exit.	119	3
8800402	S	Dual Cab Interior Grabhandles: A Pillar Mounted Dash Wrap and B Pillar Mounted Grabhandles	0	0
8832113	S	Kenworth Daylite Door With Standard LH/RH electric door locks and LH/RH electric window controls.	0	0
8841411	O	Single Air Horn Under Cab.	100	0
8850139	S	Look-Down, Pass. Door, Black 11x6	0	0
8850841	O	Mirror Shell: Dual Aero Chrome	148	0
8860852	O	Mirror: Dual KW Aero Rear View	66	0

Sales Code	Std/Opt	Description	\$ List	Weight
		Motor, heated with Integral CX		
8871446	S	Rear Cab Stationary Window 19in x 36in	0	0
8890101	S	One-Piece Bonded-In Windshield With Curved Glass. Standard.	0	0
8890135	O	Exterior Stainless Steel Sunvisor.	761	11
8890881	S	Direct Mount, Rubber Isolated Cab Suspension.	0	0
8891009	O	Thermal/Sound Insulation Package	265	0
8891011	O	Roof: Raised Profile, Stamped Aluminum w/ Additional Head Room & Interior Overhead Storage	160	0
Lights & Instruments				
9010803	S	Headlamps: Single Halogen Complex Reflector w/ Turn Indicator, Reflector and DRL. Fender Mtd.	0	0
9020101	O	14-Pin RP170 Body Lighting Connector.	82	0
9022137	S	Marker Lights: Five, Rectangular, LED	0	0
9030052	S	LED Stop, Turn, Tail: With Two LED Backup Lights and With An LED License Plate.	0	0
9042545	O	KW Fog Lights (2) Recessed in Bumper	275	2
9090049	O	Omit Brake Light with Engine Brake. Can only be selected when chassis also has engine brake. Cannot be used with options to delete engine brake.	0	0
9090180	O	Backup Alarm: Tail Light Bracket Mounted Variable self-adjusting 82-102 DBA.	135	0
9090312	O	Body Builder Lighting Harness Coiled End Of Frame For Additional Customer Installed Exterior Lighting. Harness Includes Circuits for Additional Customer Installed Tail Lamps, Turn Lamps, Stop Lamps, and Marker Lamps.	154	0
9090849	O	Polyswitches Replacing Fuses. Switch Will automatically reset after removal of excess load.	43	0
Air Equipment				
9101218	S	Air Dryer: Bendix AD-HF Puraguard Heated	0	0
9108001	S	Moisture Ejection Valve W/ Pull Cable Drain.	0	0
9140020	S	Nylon Air Tubing In Frame & Cab, Excluding Hoses subject to excessive heat or flexing.	0	0
9140252	O	Locate Air Dryer Inside LH Rail BOC. This code requires the use of a custom frame layout code.	0	0
9140288	O	Air Tanks: Clear of Transmission Area. This code requires the use of a custom frame layout code.	0	0



Sales Code	Std/ Opt	Description	\$ List	Weight
Extended Warranty				
9200007	S	Base Warranty - PACCAR PX-7 Engine 36 months / Unlimited miles & km / Unlimited hours.	0	0
9200022	S	Base Warranty - Standard Service Medium Duty 12 months / Unlimited miles & km	0	0
9220007	O	Base Warranty: Emissions (CARB Operation) 5YR/150K MI - PX-7 Engine	1,224	0
Miscellaneous				
9409852	O	GHG Secondary Manufacturer: Does Not Apply	0	0
9490206	O	Warning Triangle Reflector Kit: Shipped Loose. Kit consists of 3 triangles in plastic carrying case. Not floor mounted.	58	4
9490404	O	One 5 lb. Dry Chemical Type Fire Extinguisher mounted outboard of driver seat. Class ABC.	126	11
9490645	O	Zinc Phosphate Frame Rail Paint Processing. Requires frame rail code. Code is for 1 pair of rails.	314	0
9491659	S	VMUX Architecture	0	0
Promotions				
Paint				
9700000	O	Paint Color Number(s). N9702 A - L0001 BLACK N9720 FRAME N0001 BLACK	0	0
9943004	S	Bumper Unpainted	0	0
9943048	O	Day Cab Bulk Paint	0	0
9943050	S	Day Cab Standard Paint	0	0
9944820	S	1 - Color Paint - Day Cab Color will be White if no other color is specified.	0	0
9965510	S	Base Coat/ Clear Coat. The Kenworth Color Selector contains additional instructions, as well as information on Kenworth paint guidelines and surface finish applications. Kenworth is standard with Dupont Imron Elite paint.	0	0

Sales Code	Std/ Opt	Description	\$ List	Weight
-------------------	-----------------	--------------------	----------------	---------------

Special Requirements

- Special Requirement 1 0098025
- Special Requirement 2
- Special Requirement 3
- Special Requirement 4

Order Comments

Total Weight

9,551

Prices and Specifications Subject to Change Without Notice.

Unpublished options may require review/approval.

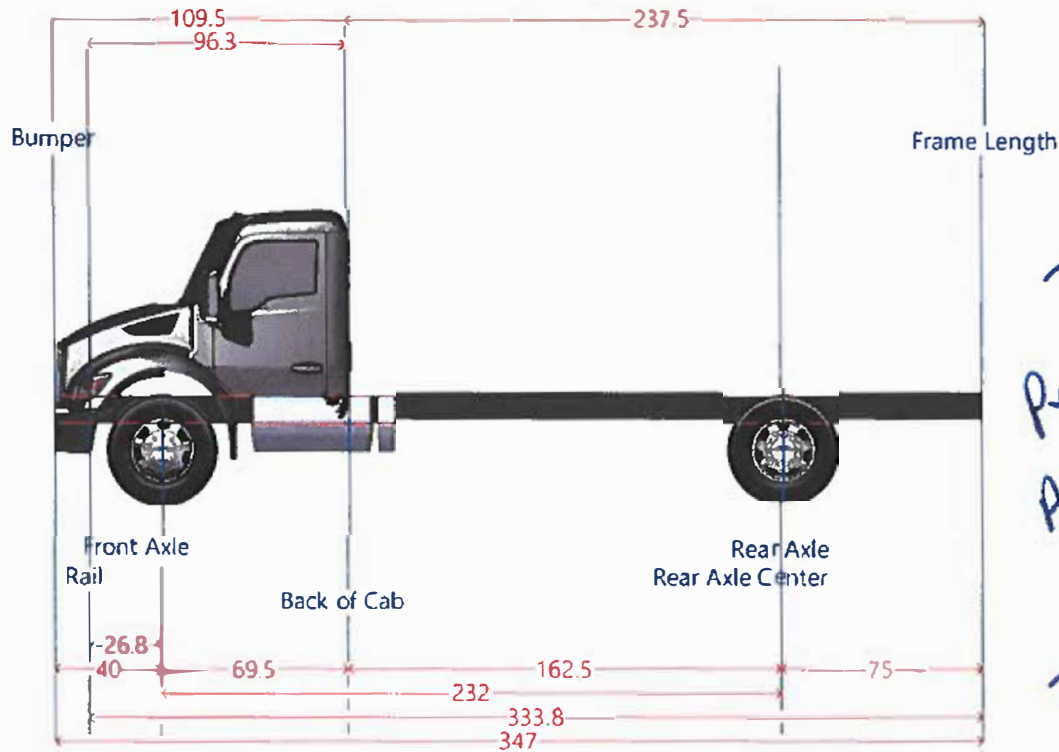
Dimensional and performance data for unpublished options may vary from that displayed in CRM.

PRICING DISCLAIMER

While we make every effort to maintain the web site to preserve pricing accuracy, prices are subject to change without notice. Although the information in this price list is presented in good faith and believed to be correct at the time of printing, we make no representations or warranties as to the completeness or accuracy of this information. We reserve the right to change, delete or otherwise modify the pricing information which is represented herein without any prior notice. We carefully check pricing specifications, but occasionally errors can occur, therefore we reserve the right to change such prices without notice. We disclaim all liability for any errors or omissions in the materials. In no event will we be responsible for any damages of any nature whatsoever from the reliance upon information from these materials. Please check your order prebills to confirm your pricing information

HORIZONTAL DIMENSIONS

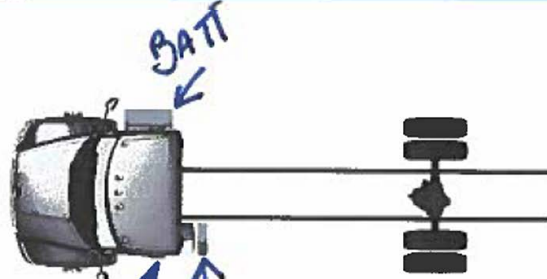
** Revised **



2025
 TZ80 4X2
 P47 300/660 LB.FT.
 ALLISON 2500RDS 6SP
 10F-20R
 26K GVWR

Dimension	Measurement	Start	End
Axle Spacing	232	232	232
Bumper to Back of Cab	109.5	-10	69.5
Bumper to Front Axle	40.0	-40	0
Bumper to Front Frame	13.2	-40	-26.8
Cab to End of Frame	237.5	69.5	307
Cab to Rear Axle	162.5	69.5	232
Effective Bumper to Back Of Cab	109.5	-40	69.5
Frame Length	333.8	-26.8	307
Front Axle to Back of Cab	69.5	0	69.5
Front of Frame to Axle	26.8	-26.8	0
Load Space	237.5	69.5	307
Overall Length	347.0	-40	307
Overhang	75.0	232	307
Pusher Offset #1	0.0	232	232
Pusher Offset #2	0.0	232	232
Pusher Offset #3	0.0	232	232
Tag Offset	0.0	232	232
Wheelbase	232	0	232

FRAME LAYOUT



Note Optional content may be displayed. The order has not yet received an engineering review. The actual arrangement of components may not be exactly as pictured. Additional changes may be made to the layout by Kenworth. Add a Custom Frame Layout code if an exact layout is required.

Selected Options (Wheelbase: 232)

Sales Code	Description	Length	Side
7140070	70 US Gallon D Shape Rectangular Aluminum Under	45.5	Left
7722170	Small DEF Tank A S Cakone	40	Left
8404121	Batter. Box Steel Parallel Module Under W/Steer	21	Right

Quote

156 Epping Rd.
 Exeter, NH 03833
 (603)778-8158
 www.netruckcenter.com

Date	Estimate #
1/15/2024	KWT280

Name / Address
New England Truck Center 156 Epping Road Exeter, NH 03833

OP#	PO #
KWT280	STOCK

Item	Description	Qty	Total
Chassis	2025 KENWORTH T280 VIN# TBD	1	111,583.00
Bodies	2024 20TB-22' SERIAL #TBD	1	46,325.00
C-NC112	FULLY CONFIGURABLE EQUIPMENT	1	0.00
C-NC19	20 000TB	1	0.00
C-2022	22'-20 000-TB	1	0.00
C-NC46	COMPLETE EQUIPMENT	1	0.00
C-D414	4 CHAIN SLOTS PER SIDE (16 TOTAL FOR 21', 22', 23', 24')	1	0.00
C-D	"3/16" CHECKER PLATE DECK (STANDARD)	1	0.00
C-PGAL-1	DECK GALVANIZED (OPTION FOR 18'-23' DECKS)	1	0.00
C-C1	FLAT TOP DECK, WITH REMOVABLE RAILS	1	0.00
C-B3	3" HIGH X 9" SPACING (OPTION FOR 20 000-TB)	1	0.00
C-L16	5 MARKER LIGHTS PER SIDE	1	0.00
C-T02	RAMSEY HDP 10,000 LBS WITH 7/16" X 75' WIRE ROPE (OPTION FOR 10 000-TB AND 20 000-TB)	1	0.00
C-T15	WINCH AIR FREE SPOOL ON LEFT HAND SIDE	1	0.00
C-NC30	75' WIRE ROPE	1	0.00
C-CR01	SWIVEL HOOK	1	0.00
C-NC24	SINGLE AXLE	1	0.00
C-12V	12V WIRING	1	0.00
C-NC44	MEDIUM DUTY STINGER AND WHEEL LIFT (STANDARD FOR 20 000-TB) (3X3 T-BAR)	1	0.00
C-G20	GALVANIZED SUB-FRAME AND BUMPER	1	0.00
C-NC17	CLEAR MARKER LIGHT	1	0.00
C-L118	8 X 4 1/2" LIGHT (6 RED (STOP-FLASH) / 2 BACKUPS) - ON BUMPER	1	0.00
C-NC11	LEVER CONTROL STANDARDS	1	0.00
C-INCL	WHEEL LIFT SYSTEM (OPTION INCLUDES 3X3 T-BAR)	1	0.00
C-S052	STAINLESS ON REAR BUMPER	1	0.00
C-G011	STABILIZER GRIP (20,000) (3X3)	1	0.00
C-L112-1	2 LED WORK LIGHTS ON TOP OF THE REAR BUMPER	1	0.00
C-B06	HITCH RECEIVER ASSEMBLY 10-20 000LBS (2"X2")	1	0.00
		Total	

Quote

156 Epping Rd.
 Exeter, NH 03833
 (603)778-8158
 www.netruckcenter.com

Date	Estimate #
1/15/2024	KWT280

Name / Address
New England Truck Center 156 Epping Road Exeter, NH 03833

OP#	PO #
KWT280	STOCK

Item	Description	Qty	Total
	PRICING BASED ON CURRENT DATA. FINAL PRICE WILL BE SET ONCE DEPOSIT IS RECEIVED AND BUILD SLOT SECURED.		
		Total	\$178,574.40

ONCE THE BUYER ACCEPTS THIS ORDER, THE BUYER'S DEPOSIT IS NOT REFUNDABLE UNLESS THE BUYER CANNOT TAKE DELIVERY OF SAID VEHICLE(S) FOR A REASON BEYOND THE BUYER'S CONROL. IN THAT EVENT, THE DEALER MAY, BUT WILL NOT BE REQUIRED TO, RETURN THE DEPOSIT TO THE BUYER, LESS ANY EXPENSES WHICH THE DEALER HAS INCURRED IN ACCEPTING AND PROCESSING THIS ORDER. THE BUYER'S FAILURE TO OBTAIN FINANCING BEFORE SCHEDULED DELIVERY IS NOT A REASON BEYOND THE BUYER'S CONTROL. THE BUYER WILL ALSO BE SUBJECT TO ANY PRICE INCREASES THAT ARE RECEIVED BY THE DEALER PERTAINING TO THE CHASSIS OR BODY. BY SIGNING THIS THE BUYER ACKNOWLEDGES HAVING READ AND AGREEING TO THESE TERMS AND CONDITIONS.

Signature _____



Terms & Conditions

- Once the buyer accepts this order, the buyer's deposit is not refundable unless the buyer cannot take delivery of the said vehicle(s) for a reason beyond the buyer's control. In that event, the dealer may, but will not be required to return the deposit to the buyer, less any expenses which the dealer has incurred in accepting and processing this order. The buyer's failure to obtain financing before scheduled delivery is not a reason beyond the buyer's control.
- The buyer will be subject to any price increase and or surcharge that are received by the dealer pertaining to the chassis or body.
- The buyer will be subject to any price increase on raw materials / parts that are incurred from the time of placing the order to the actual time of build and delivery of the unit(s).
- By signing this the buyer acknowledges having read and agreeing to these terms and conditions.

Date: _____

Signature of Purchaser: _____

Opp# _____ Chassis: _____ Body: _____

NETC Representative: _____

"Everything Truck"

156 Epping Road Exeter NH 03833 +1 603 778 8158

www.NEtruckcenter.com